

FS 12T-SUB

FS Series Arena Horn Loudspeaker



FS12T-SUB

Features

- Ideal for a Wide Array of Outdoor and Indoor Applications
- Integrated 400-Watt 70.7V Transformer
- Omni-Directional Dispersion
- All-Weather Construction Ensures Long-Term Reliability Through Varying Seasons
- Flexible Mounting System Ensures Versatile Install Mounting Angles
- Easy Service Design Allows Transducers to be Serviced in the Field without Uninstalling the Enclosure from the Mount
- Neutral Finish Blends into Any Environment

Applications

The FS12T-SUB is designed for enhanced low frequency output when used in conjunction with other FS Series horns or other full range drivers. The unit features a lightweight and compact all-weather enclosure that can be used in multiple outdoor and indoor installation applications including arenas, stadiums, fairgrounds, racetracks, theme parks, outdoor entertainment centers, convention centers, aquatic centers, and multipurpose venues.

General Description

The FS12T-SUB is a low-frequency loudspeaker system engineered to provide extended bass response in high output applications that require durability and weather resistance. It was designed to withstand exposure to environmental conditions and provide long-lasting reliability.

The unit incorporates a 12" LF driver and is tuned for optimal source reproduction.

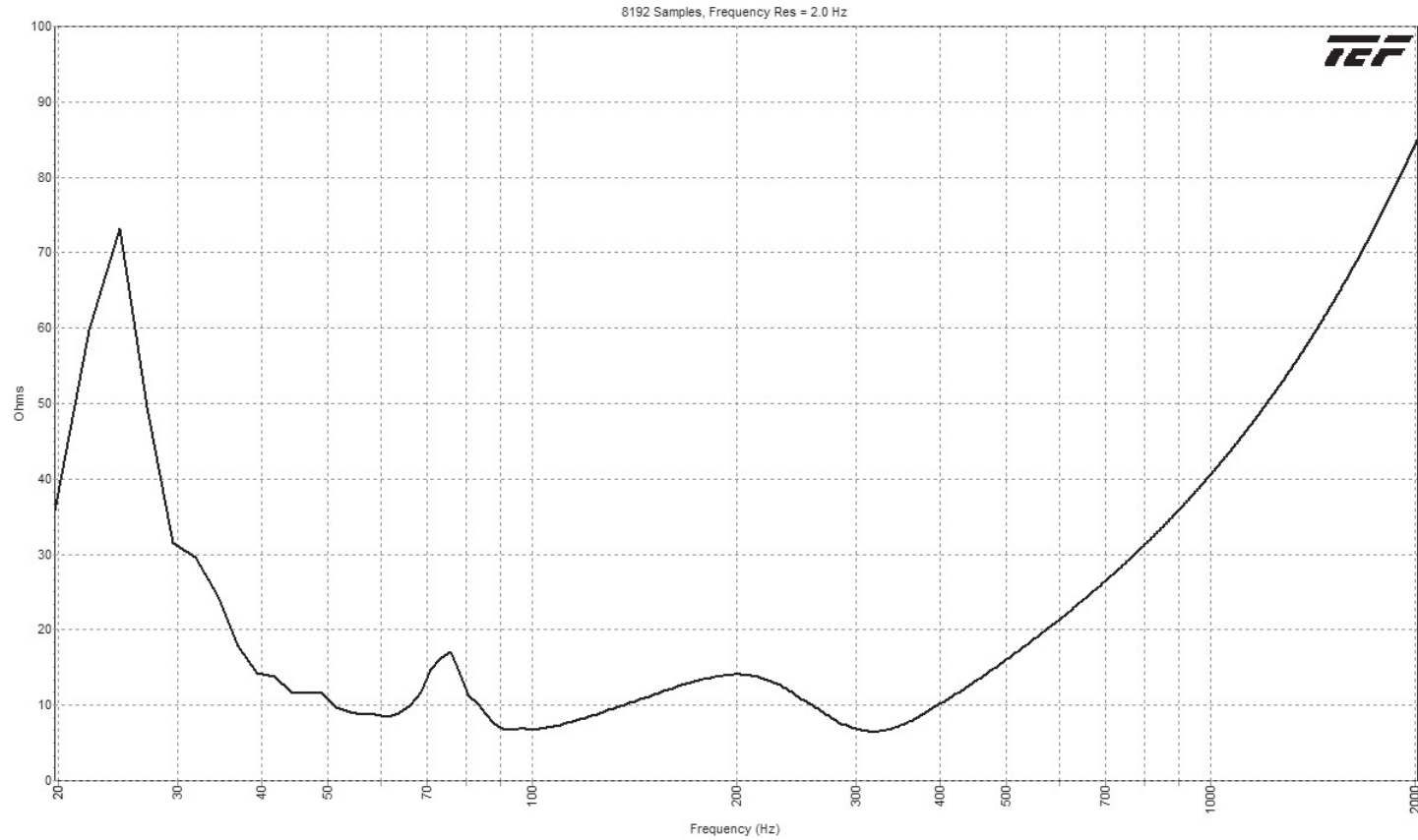
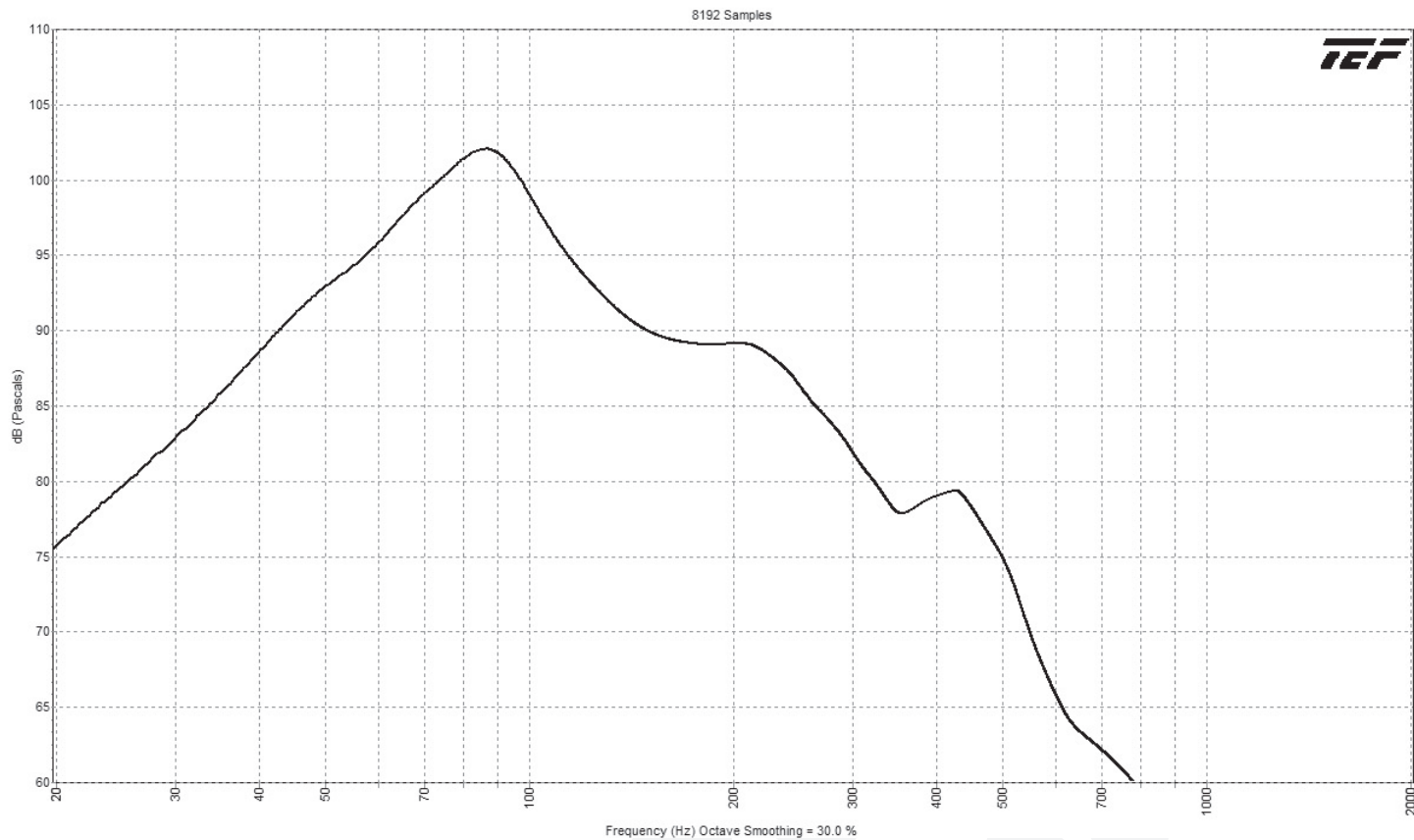
The unit is constructed using molded linear low-density polyethylene (LLDPE), creating an incredibly strong yet lightweight enclosure. The unit includes a stainless steel U-bracket and fly-points allowing for easy mounting. Input is via an integrated 70.7V transformer with low insertion loss and full frequency response with power taps up to 400-watts including a 4Ω bypass. The transformer is discretely mounted under the rear cover for weather protection. The finish is neutral "battle ship grey" that is UV resistant and allows for years of durability.

System	
Type	Low Frequency Subwoofer, Outdoor Loudspeaker
Operation Mode	Non-Powered Passive
Operating Range (-10db)	41Hz- 164Hz
Frequency Response (+/- 5dB)	47.5Hz- 130Hz
Nominal Input Sensitivity (1W @1m)	98dB
Vertical Coverage	Omni-Directional
Horizontal Coverage	Omni-Directional
Max Input Ratings (4 ohm)	400 W Continuous, 800 W Program
Transformer Taps - 70V	400W, 200W, 100W, 50W
Transformer Taps - 100V	200W, 100W, 50W
Max SPL at 1 m (passive)	124
Crossover Frequency	180 Hz
Recommended Signal Processing	70 Hz High Pass Filter
Recommended Power Amplification	400W @ 4Ω
Transducers	
LF Transducer Qty and Size	1 x 12"
LF Voice Coil Size	2.5"
MF Transducer Qty and Size	N/A
MF Voice Coil Size	N/A
HF Transducer Qty and Size	N/A
HF Voice Coil Size	N/A
Maximum Output (System)	124 dB
Nominal Impedance (System)	4Ω
Minimum Impedance (System)	4.6Ω @ 95Hz
Driver Protection	LF Driver Protection Circuit
Enclosure	
Color	Light Gray
Enclosure Material	LLDPE (Linear Low-Density Polyethylene)
Grille Material	Aluminum
Baffle Material	Stainless Steel
Mount Material	Stainless Steel
Input Connection	Barrier Terminal, Transformer/ 4Ω Direct
Controls	N/A
Mounting/Rigging Provisions	6mm Stainless Steel U-Bracket
Ingress Protection	IP45 When Tilted 5° Downwards
Environmental Testing	MIL-DTL-12606
Cutout Diameter	N/A
Logo	2 Sides, Rear Cover, and Grill
Product Dimensions (HxWxD)	19.56" x 18.5" x 18.5" (497.84mm x 469.9mm x 496.9mm)
Shipping Dimensions (HxWxD)	24.5" x 23.5" x 23.5" (622.3mm x 596.9mm x 596.9mm)
Net Weight	41 lbs (18.6 kgm)
Shipping Weight	54 lbs (24.5 kgm)
Warranty Coverage	
Warranty Period	5 Years

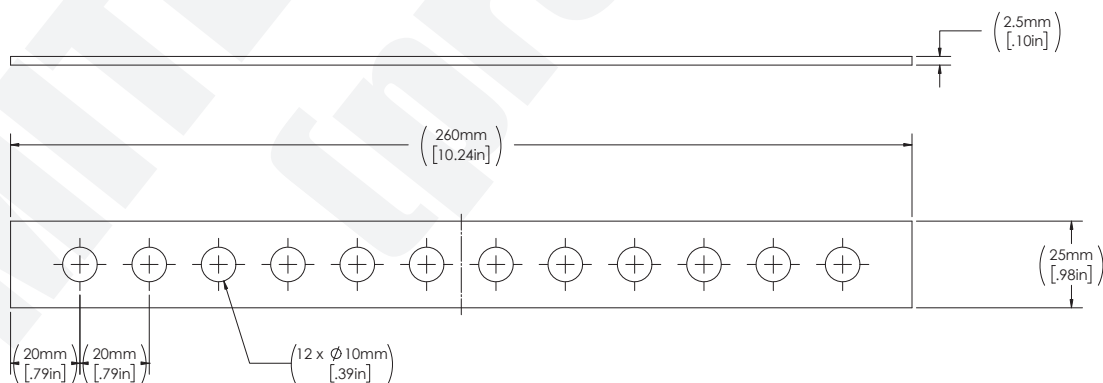
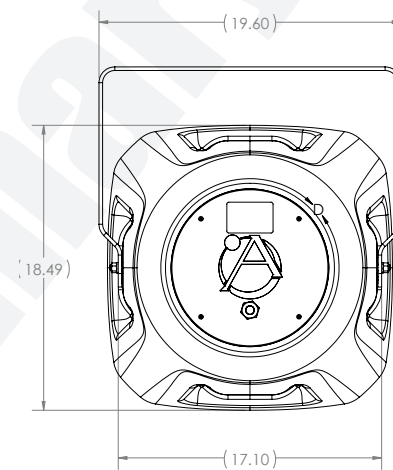
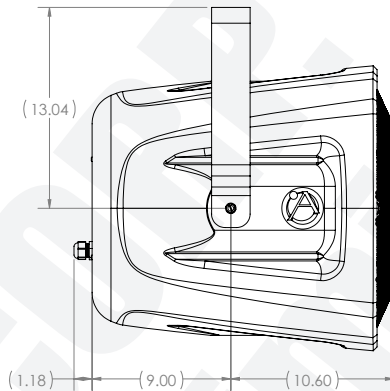
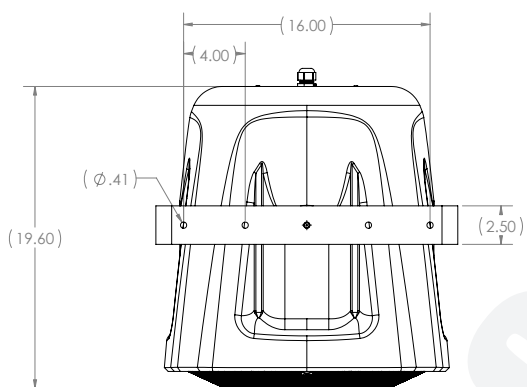
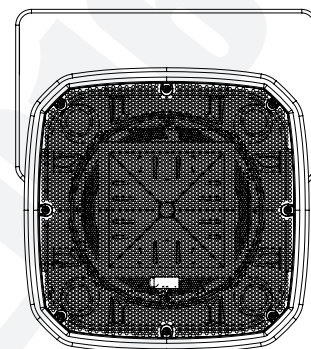
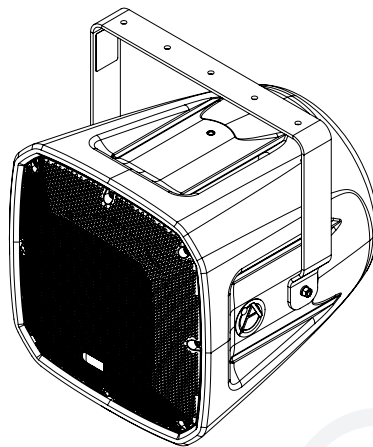
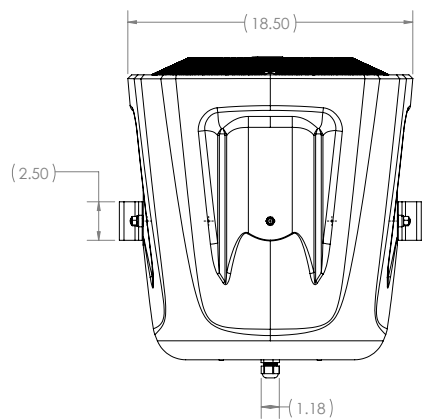
NOTES:

1. Sensitivity: 1 meter, 2.83 volts RMS.
2. Power: All power figures are calculated using the rated nominal impedance.
3. Frequency response and sensitivity are anechoic measurements.

©2016 Atlas Sound L.P. and Innovative Electronic Designs, LLC. All Rights Reserved. Atlas Sound is a trademark of Atlas Sound L.P. IED is a registered trademark of Innovative Electronic Designs, LLC. All other trademarks are the property of their respective owners. All specs are subject to change without notice. ATS005235 RevA 6/16



©2016 Atlas Sound L.P. and Innovative Electronic Designs, LLC. All Rights Reserved. Atlas Sound is a trademark of Atlas Sound L.P. IED is a registered trademark of Innovative Electronic Designs, LLC. All other trademarks are the property of their respective owners. All specs are subject to change without notice. ATS005235 RevA 6/16



Architect and Engineer Specifications

Loudspeaker shall be Atlas Sound model FS12T-SUB or approved equal.

The loudspeaker system shall be a low-frequency loudspeaker design with an IP45 rating. It shall include a 12" cast frame LF woofer.

The loudspeaker system shall be capable of providing an omni-directional LF sound dispersion with rated power being 400 watts RMS based on EIA Standard RS-426B.*

Enclosure shall be UV-resistant, linear low-density polyethylene (LLDPE) and shall include a 2-stage multiple mesh filter system for weather and rodent resistance: to include a 20-gauge perforated aluminum screen on front mouth assembly, stainless steel mesh over 12" woofer. The loudspeaker shall include a stamped and formed, 6mm stainless steel powder coated mounting bracket assembly for surface mounting.

Sensitivity shall be 98dB SPL (45Hz to 125Hz in 1/3 octave bands) measured at a distance of one meter on axis with a one watt input half space (2.83V).

Overall frequency response shall be 47.5Hz – 130Hz. The input section located on the bottom rear of the loudspeaker shall be via 7 position screw down terminal strip internally configured to allow input to an internally mounted 70.7V transformer with 50, 100, 200, 400-watt taps and a bypass jumper direct coupled to the speaker for nominal 4 Ω operation. The system connections shall be protected from the elements by a screw affixed weather resistant cover.