

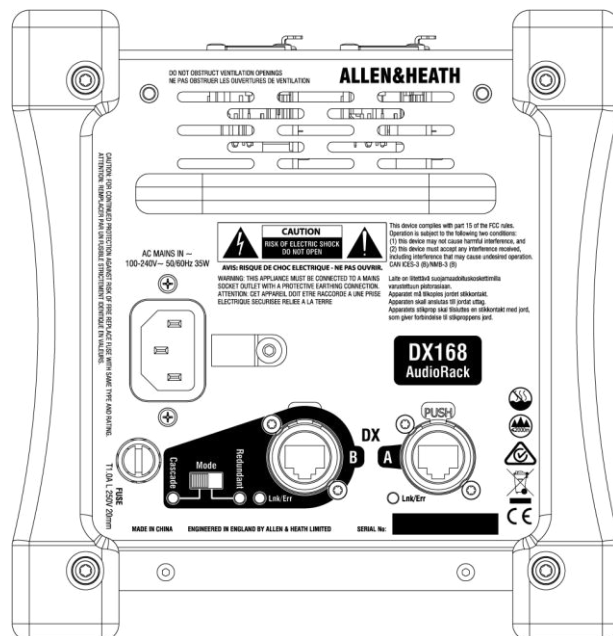
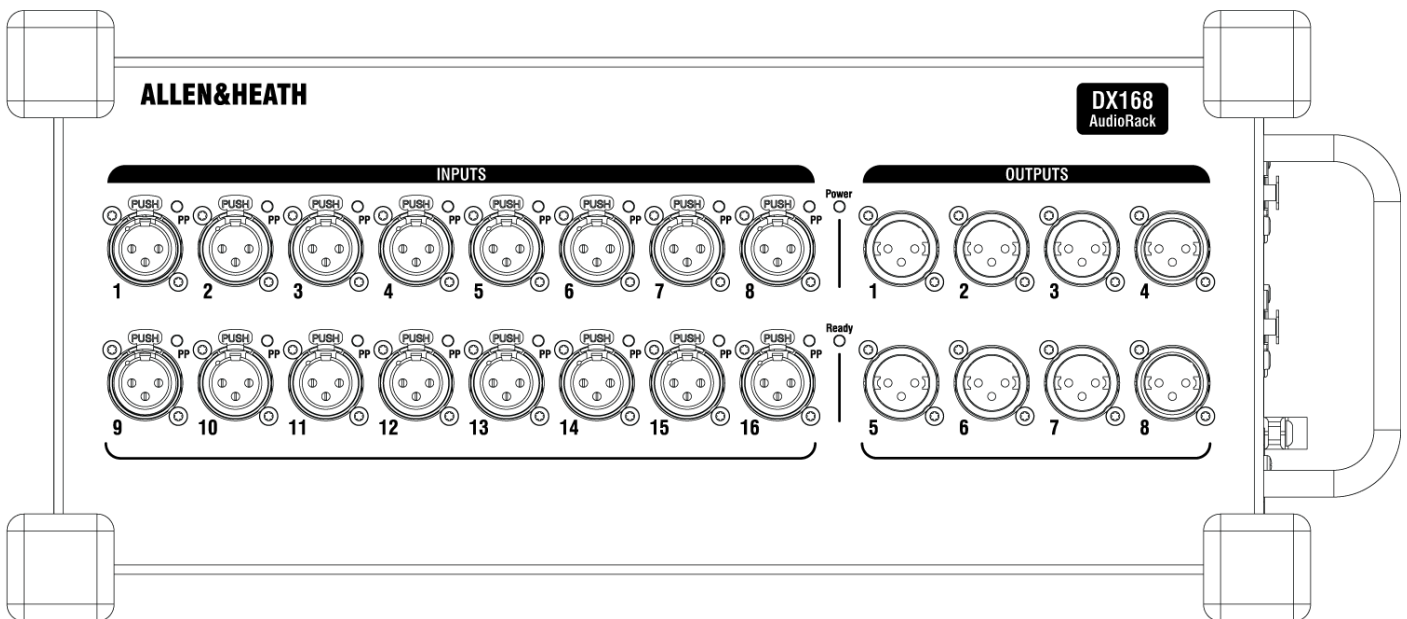
# ALLEN & HEATH

Allen & Heath Limited  
 Kernick Industrial Estate  
 Penryn, Cornwall,  
 TR10 9LU, UK  
[www.allen-heath.com](http://www.allen-heath.com)

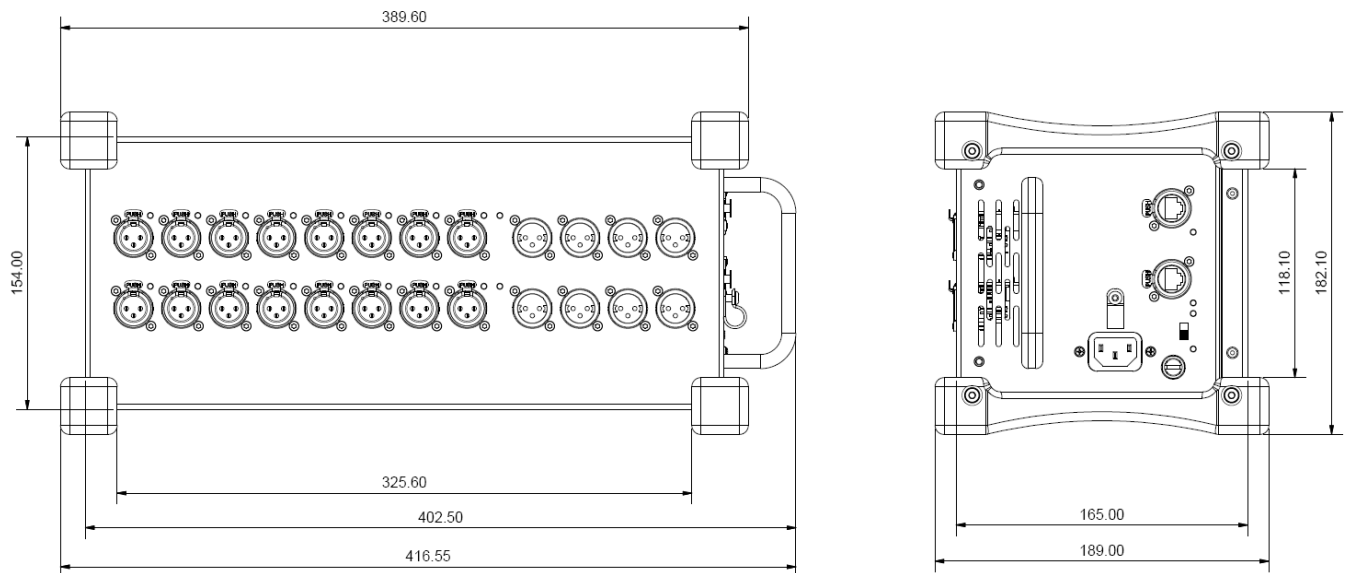
## Technical Datasheet

### Overview

- Compatible with dLive, Avantis, SQ and AHM-64
- 16 Mic Preamps on XLR
- Phantom Power LED per Input
- 8 XLR Line Outs
- DX A connection with locking Ethercon port
- DX B locking Ethercon port for daisy chaining or redundancy
- Rubber bumpers
- Carry handle
- Optional rack mount kit available



## Dimensions



## A&E Specifications

The unit shall be a portable remote audio device for dLive, Avantis, SQ and AHM-64 mixing systems. The remote audio unit shall provide 16 XLR inputs with individually configured Phantom Power and 8 XLR outputs. Phantom power LED indicators shall be provided per input socket on the remote audio rack.

Two Ethercon DX link connectors shall be provided for transport of the digital audio and control signals. The unit shall be able to operate in 'redundant' or 'cascade' mode by means of a mechanical switch. In 'redundant' mode the unit shall provide full redundant connection to a dLive S Class Surface or Mixrack. In 'cascade' mode the unit shall allow series connection of two units with a single cable connection to the dLive, Avantis, SQ or AHM-64 mixing system.

The Ethernet protocol shall provide control to the remote preamp, and all mic preamps are scene recallable by the digital mixing system. Unit firmware shall automatically be updated when connected to the digital mixing system.

The remote audio rack shall have a robust steel chassis and shall be designed to be portable and to be placed

horizontally or vertically on the stage or performance environment.

A carrying handle shall be provided to facilitate lifting and holding the device when moving and an optional padded dust cover shall be available.

The remote audio rack shall also be mounted in a 19" equipment rack or case using an optional remote audio rack kit.

The remote audio rack shall have a built-in power supply accepting AC mains voltages of 100~240V, 50/60 Hz, 35W max via an earthed 3-pin IEC male connector mounted on the rear chassis.

Recommended operating temperature for the remote audio rack shall be 0 to 35 degrees Celsius.

The unit shall be the Allen&Heath DX168.

## System Specifications

### Inputs

|                               |  |
|-------------------------------|--|
| <b>XLR Mic/Line Inputs</b>    | Balanced, +48V Phantom Power                   |
| Mic/Line Preamp               | Fully recallable                               |
| Input Sensitivity             | -60 to +15dBu                                  |
| Analogue Gain                 | +5 to +60dB, 1dB steps                         |
| Pad                           | -20dB Active PAD                               |
| Maximum Input Level           | +30dBu (PAD in)                                |
| Input Impedance               | >4k $\Omega$ (Pad out), >10k $\Omega$ (Pad in) |
| <b>Mic/Line Channel noise</b> | 22-22kHz, Direct Out @ unbalanced out          |
| Mic EIN                       | -127dB with 150 $\Omega$ source                |
| Unity gain (Pad in)           | -90dBu   |
| Low gain (5dB, Pad out)       | -96dBu   |
| Mid gain (30dB, Pad out)      | -90dBu   |
| <b>Mic/Line Channel THD+N</b> | 22-22kHz, Direct Out @ unbalanced out          |
| Unity gain (Pad in)           | 0.003% -88dBu @ 1kHz, 0dBu output              |
| Low gain (5dB, Pad out)       | 0.002% -93dBu @ 1kHz, 0dBu output              |
| Mid gain (30dB, Pad out)      | 0.003% -88dBu @ 1kHz, 0dBu output              |
| <b>Sample Rate</b>            | 96kHz  |

### Outputs

|                              |   |
|------------------------------|---|
| <b>XLR Outputs</b>           | Balanced, Relay protected   |
| Output Impedance             | <75 $\Omega$  |
| Nominal Output               | +4dBu = 0dB meter reading   |
| Maximum Output Level         | +22dBu  |
| Residual Output Noise        | -92dBu (muted, 20-20kHz)  |
| <b>Operating Temperature</b> | 0 deg C to 35 deg C<br>(32 deg F to 95 deg F)   |
| <b>Mains Power</b>           | 100-240V, 50/60 Hz, 35W max   |
| <b>Dimensions and Weight</b> | Width x Depth x Height x Weight<br>410mm x 190mm x 185mm x 4.6kg<br>(16.1" x 7.5" x 7.3" x 10.1lbs) |