

APF-15T

Flanged Omni-Purpose Loudspeaker

Technical Specifications

Power Rating: 15 Watts (continuous)
 20 Watts (equalized)

Frequency Response: 475Hz-14kHz

Sensitivity: 121dB @ 15 Watts (4' on axis, 15 Watts input)

Dispersion Angle: 180°

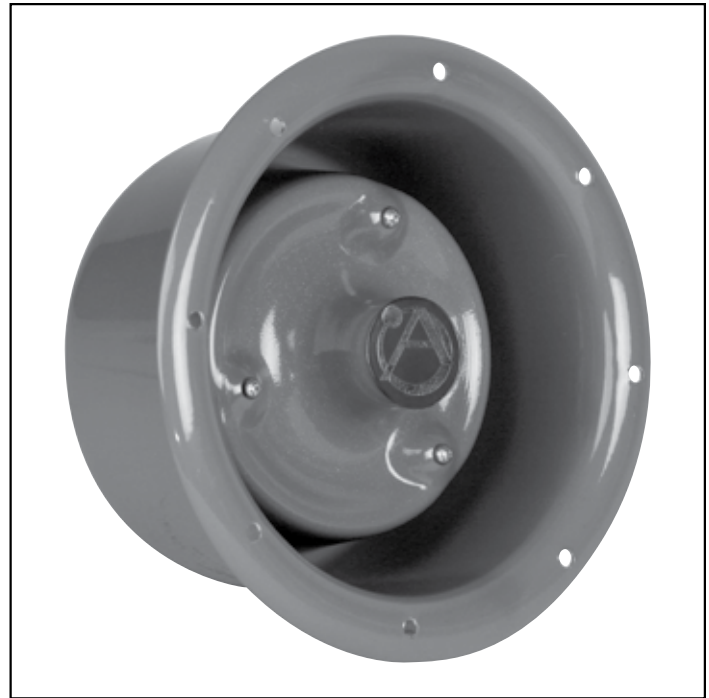
Sensitivity as Microphone: -21dBm (re: 10dynes/cm²)

Impedance (Ohms): 5000Ω, 2500Ω, 1300Ω, 666Ω, 333Ω, 89Ω, 45Ω

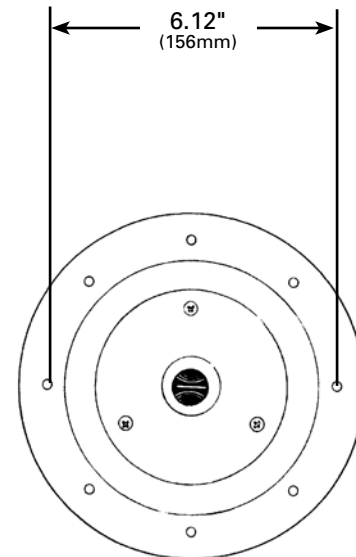
Power Taps: 70.7V. - .9/1.8/3.8/7.5/15
 (Watts): 25V. - .48/.94/1.8/7.5/15

Dimensions: 5⁵/₁₆" Diameter x 5³/₁₆" Deep (14.3cm Diameter x 13.2cm)
 FLANGE Diameter 7" (17.8cm)

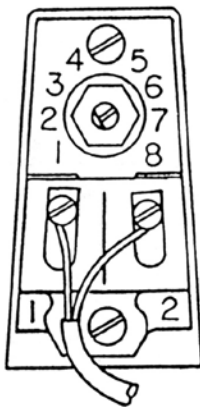
Shipping Weight: 3¹/₂ lbs. (1.7kg)



MOUNTING DIMENSIONS



Wiring



NOTE:
 Terminal #1 is the negative terminal.
 Terminal #2 is the positive terminal.

POWER TAP SELECTOR SWITCH

Switch Position	Impedance Ω	100V	70.7V	25V
1	5000Ω	2.0 Watts	1.0 Watts	.125 Watts
2	2500Ω	4.0 Watts	2.0 Watts	.25 Watts
3	1300Ω	7.7 Watts	3.8 Watts	.48 Watts
4	666Ω	15.0 Watts	7.5 Watts	.94 Watts
5	333Ω	DO NOT USE	15.0 Watts	1.8 Watts
6	89Ω	ON 100V Line	DO NOT USE	7.5 Watts
7	45Ω	-	ON 70.7V Line	15.0 Watts