

WTSD-COVER

Stainless Steel Weather Resistant Locking Security Cover for WTSDs



Features

- Commercial Duty Stainless Steel Construction
- Keyed Locking Door with Silicon Sealing Gasket
- Stainless Steel Screws Included
- Factory Installed Gasket on Door and Ring
- Compatible with WTSD-MIX31K, WTSD-MIX41K and WTSD-XLR4

Applications

- School Multipurpose Rooms, Rally Areas
- Indoor / Outdoor Sports Complexes
- Hotel Ballrooms
- Community Multiuse Facilities
- Industrial Facilities
- Small House of Worship Rooms

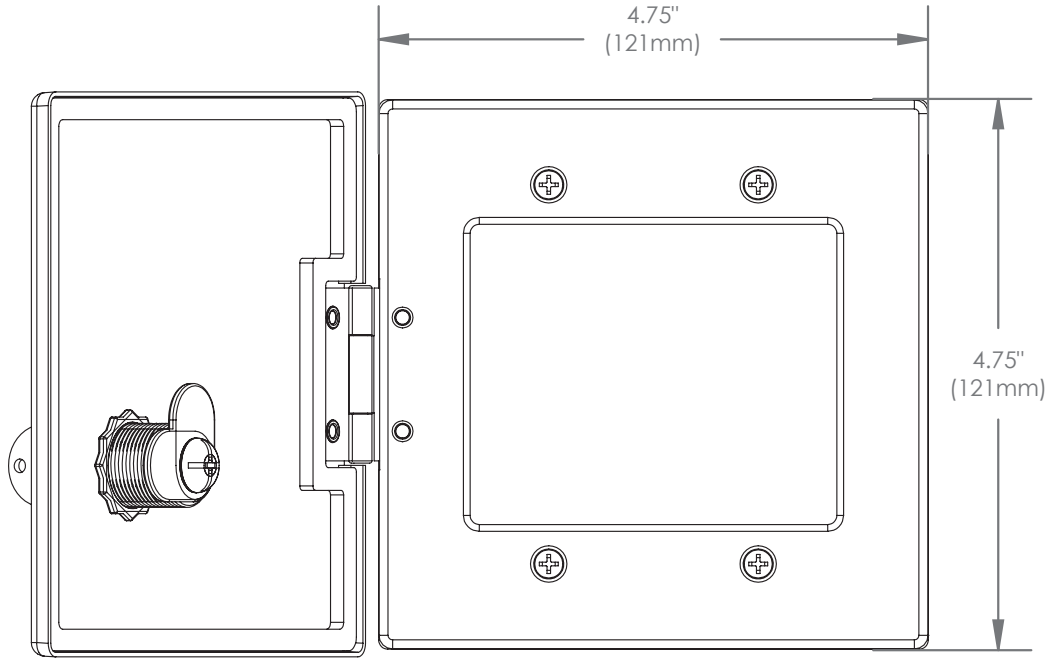
General Description

The AtlasIED WTSD-COVER is an optional stainless steel locking cover for use with WTSD-MIX41K, WTSD-MIX31K or WTSD-XLR4 wall plates for use in indoor or outdoor applications. It works with most 2-gang electrical outlet boxes. The WTSD-COVER is supplied with stainless steel screws, gaskets, and a locking set of keys (2). The gaskets are factory mounted; one on the ring to seal against the WTSD wall-plate, and one on the inside of the door to seal the door when it is closed.

System	
Type	Stainless Steel Weather Resistant Locking Security Cover
Mounting	
Wall Plate	2-Gang, Fits Over WTSD and Fastens to Electrical Box (Fits Most Standard, See Approved List and Dimensions)
Mechanical	
Chassis Finish	Brushed Natural Finish Stainless Steel
Chassis Material	Stainless Steel
Gasket	Units Comes with Door and Back Plate Gaskets Attached
Hardware	6/32 x 3/4" Stainless Pan Head Screws, Qty 4
Keys	2 Keys Included, Note: WTSD-COVER Keys Are Universal
Product Dimensions (HxWxD)	Outer Door: 4.86" x 4.86" x 0.27" (123mm x 123mm x 7mm) Inner Ring: 4.75" x 4.75" x 0.16" (121mm x 121mm x 4mm)
Shipping Dimensions (HxWxD)	5.75" x 5.75" x 1.67" (146mm x 146mm x 41mm)
Unit Weight	0.63 lbs. (0.28kg)
Shipping Weight	0.75 lbs. (0.34kg)
Electrical Box Required	2-Gang - NEMA Standard
Product Compatibility	
WTSD-MIX31K	3x1 Mic / Line, AUX, Bluetooth, Wall Plate Audio Mixer
WTSD-MIX41K	4x1 Mic / Line, Wall Plate Audio Mixer
WTSD-XLR4	4 x XLR Passive Input Wall Plate

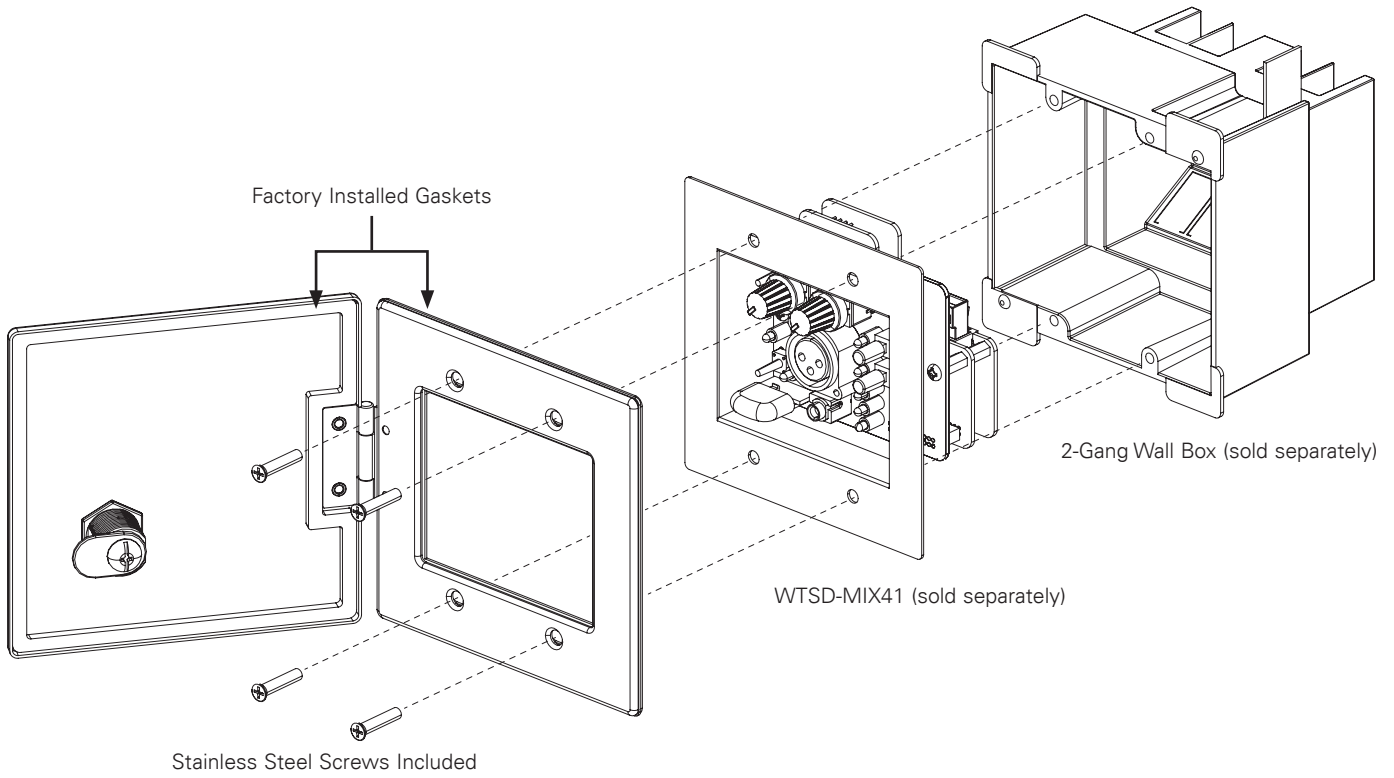
Note 1: Electrical box requirements - For additional information refer to WTSD wall plate manuals for recommended box types.

Dimensional Drawings



©2019 Atlas Sound LP. The Atlas "Circle A", Soundlier, and Atlas Sound are trademarks of Atlas Sound L.P. IED is a Registered Trademark of Innovative Electronic Designs LLC. All rights reserved. All other Trademarks are property of their respective owners. No endorsement is implied. Due to continual product development, specifications are subject to change without notice. ATSO06021 RevB 8/19

Assembly



©2019 Atlas Sound LP. The Atlas "Circle A", Soundlier, and Atlas Sound are trademarks of Atlas Sound L.P. IED is a Registered Trademark of Innovative Electronic Designs LLC. All rights reserved. All other Trademarks are property of their respective owners. No endorsement is implied. Due to continual product development, specifications are subject to change without notice. ATSO06021 RevB 8/19

Architect and Engineer Specifications

The WTSD-COVER shall be a 2-gang weather-resistant optional accessory wall plate designed to be used in conjunction with the WTSD-MIX31K, WTSD-MIX41K, or WTSD-XLR4. The WTSD-COVER shall be a hinged door with ring constructed of stainless steel with gaskets factory mounted to seal the door to the ring, and the ring to the WTSD wall-plate. The WTSD-COVER shall have a security locking door with a set of keys x 2 included. Four stainless steel fasteners shall be included. The WTSD-COVER shall have a brushed natural stainless steel finish with "Audio Control Panel" printed on the front door to identify its purpose when closed. The product shall be the WTSD-COVER.

©2019 Atlas Sound LP. The Atlas "Circle A", Soundolier, and Atlas Sound are trademarks of Atlas Sound L.P. IED is a Registered Trademark of Innovative Electronic Designs LLC. All rights reserved. All other Trademarks are property of their respective owners. No endorsement is implied. Due to continual product development, specifications are subject to change without notice. ATSO06021 RevB 8/19