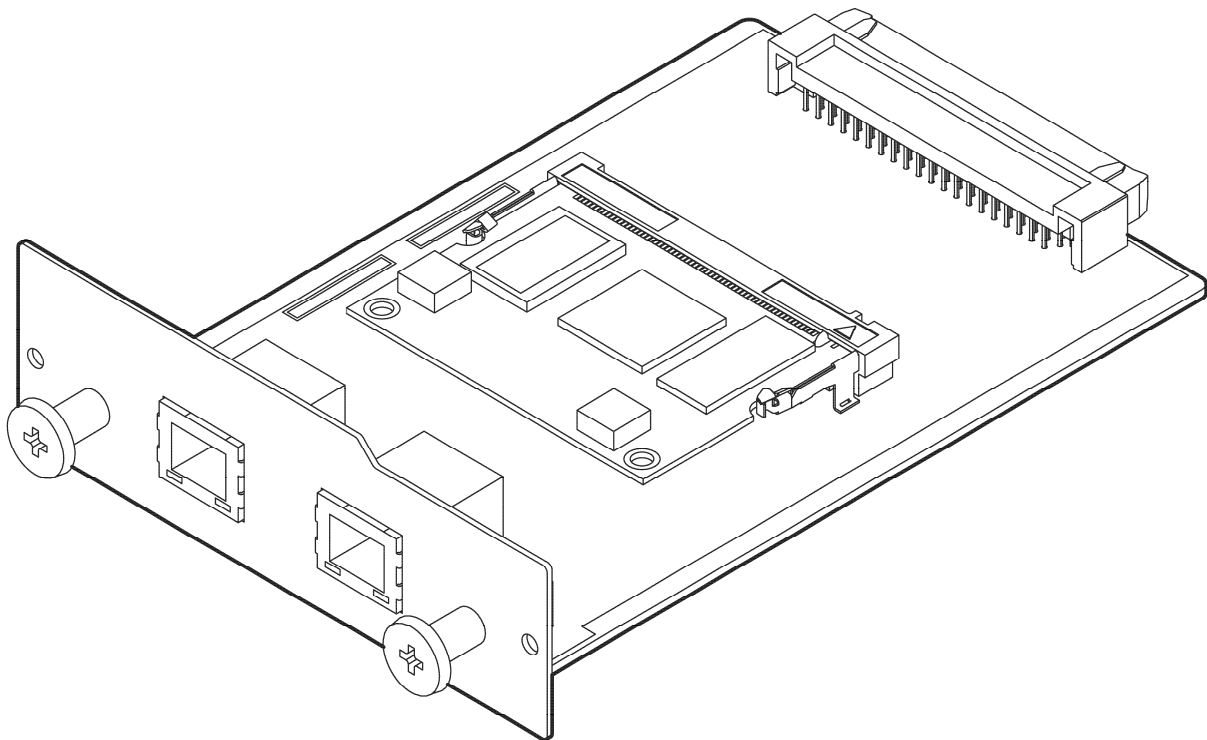


Product Spec Sheet
Dante Interface CARD
IF-DA64



■ **Specifications**

Ratings

•Channels and formats

Sampling Frequency

44.1/48 kHz:	64 channels max.
88.2/96 kHz:	32 channels max.

Input/output ratings

•PRIMARY/SECONDARY connectors

Connector:	RJ-45
Transmission protocol:	Dante
Gigabit Ethernet standard:	1000BASE-T (IEEE 802.3ab)
Cables:	category 5e or faster.

Other

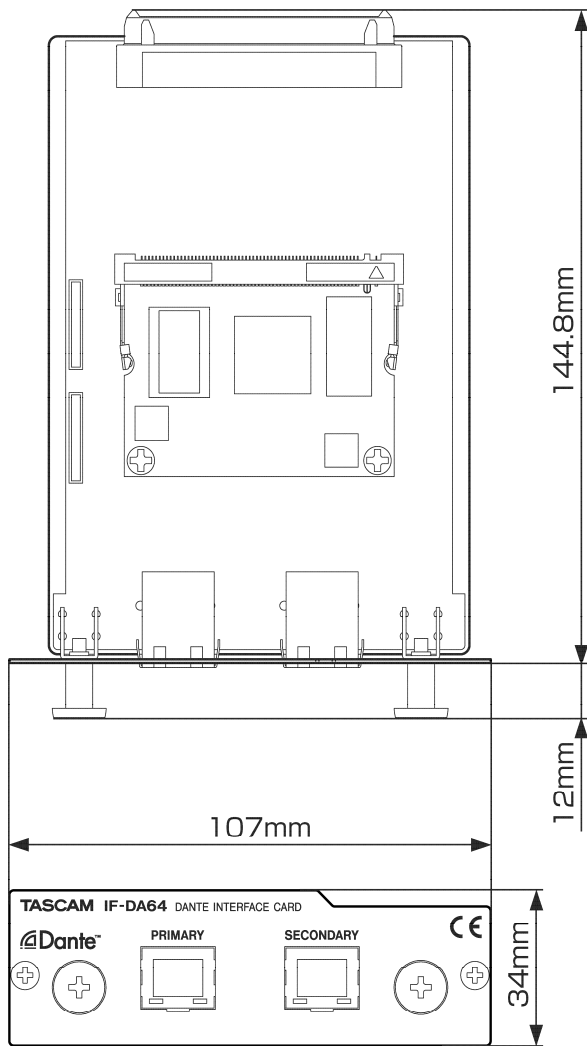
•Dimensions

107 × 34 × 156.8 mm (width × height × depth, including protrusions)

•Weight

139 g

■ Dimensional drawings



※TASCAM is trademark of TEAC CORPORATION, registered in the U.S. and other countries.
※Other company names, product names and logos are the trademarks or registered trademarks of their owners.
※Specifications and appearance are subject to change without notice.
※All information included in this document is as of Apr, 2016.