

## PM-660U

### PAGING MICROPHONE



Designed for paging calls and general announcements, the PM-660U desk-top microphone comes with a large talk switch and a lock lever for easy and convenient operation. Its robust anti-vibration construction and balanced output render the microphone resistive to noise. In addition, the PM-660U microphone is equipped with a remote control switch (interlocked with the talk switch) for amplifier power on/off operation or chime activation.

### Key features

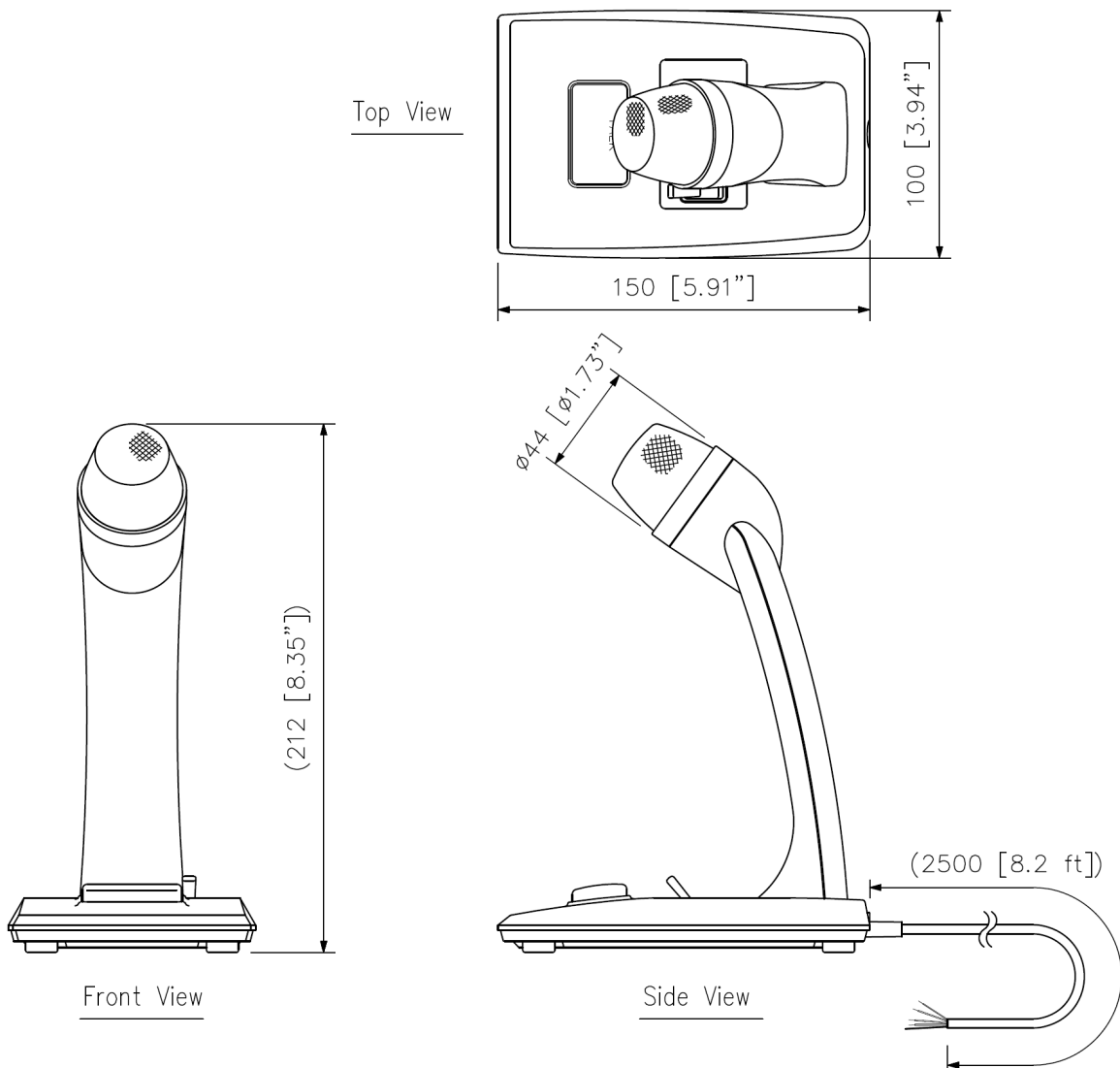
- Short-off talk switch with locking lever or openoff type switch contact
- Low handling noise
- 2 m without plug

## Specifications

Type	Moving coil microphone
Polar Pattern	Unidirectional
Impedance	600 $\Omega$ , Balanced
Sensitivity	-58 dB (1 kHz, 0 dB=1 V/Pa)
Frequency Response	100 Hz - 10 kHz
Output	4-conductor (2-shielded) cable (2.5 m (8.2 ft) without plug
Talk Switch	1-push-to-talk switch, 1-locking lever, Short-off type
Remote Control	500 mA or less at 30 V DC
Operating Temperature	-10 °C to +50 °C (14 °F to 122 °F)
Operating Humidity	95 %RH or less (no condensation)
Finish	Microphone head: Zinc plated steel wire, gray baked paint Main unit: ABS resin, gray
Dimensions	100 (W) x 212 (H) x 150 (D) mm (3.94" x 8.35" x 5.91")
Weight	400 g (0.88 lb) (cord excluded)

\*Do not keep the lock lever placed in the locked state (ON position) for a long period of time. Doing so may cause poor conductivity in the lever switch due to deterioration with age, resulting in unit malfunction.

## Dimensions



UNIT:mm

Note: Numerical values in parentheses are for reference only.

## A&E specifications

Dynamic table microphone in beautifully shaped enclosure with lockable talk button