

PM-DA-48-G

300 lb WLL

DUAL ADAPTER FOR 6" + DIA. POLES

PoleStar®



The Dual Adapter support arm is an outdoor accessory to the PM-24-6UP-G Support Arm and PM-MOUNT-6UP-G produced from galvanized steel and provides an innovative way to mount and aim two loudspeakers and other objects (of equal weight and mass) from the same Pole or column, 6" inches in diameter or more.

A variety of available mounting holes permit speakers to be installed closer or further from the pole to provide clearance for different down tilt angles. Hardware is included to secure it to the pole adapter and/or support arm. Yokes and U-Brackets are not included.



2-WAY MOUNTING - ADD PM-MOUNT-6UP-G



3-WAY MOUNTING - ADD PM-24-6UP-G
Triple Speaker Pole Mount

STANDARD FEATURES:

- ▶ Galvanized Steel
- ▶ Load rated hardware
- ▶ Uses common hole patterns
- ▶ Cosmetic trim components included
- ▶ Job-site ready

OPTIONAL ACCESSORIES:

- ▶ PM-SAFETY-6DOWN Safety Cable Anchor
- ▶ See Safety Cable Datasheet

SPECIFICATIONS:

Material: Steel

Finish: Galvanized

Color: Silver

WLL: 300 lb / 136.078

*WLL = Working Load Limit

1pc Dual adapter mount

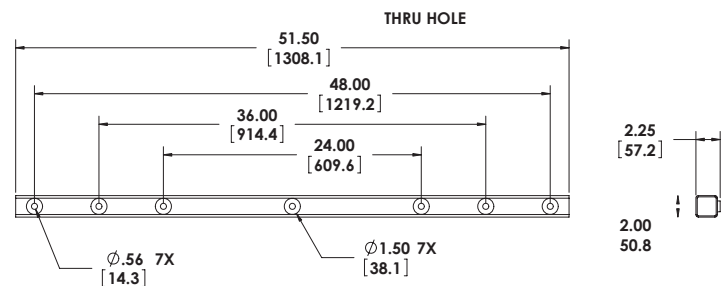
1pc Hardware kit.



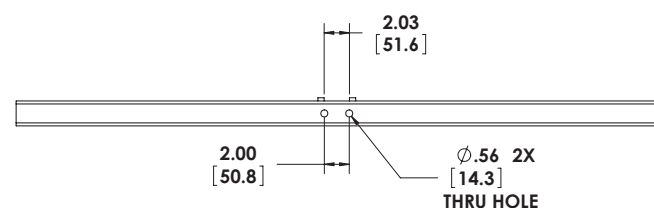
Rated for outdoor use.

DIMENSIONS:

Top View



Front View



ALWAYS INSTALL SAFETY CABLES

WARNING: Mounting and/or suspension of equipment requires experienced professionals. Improperly installed equipment can result in property damage, personal injury and/or liability to the installing contractor.

PM-DA-48-G

300 lb WLL

OPTIONAL ACCESSORIES

PoleStar®

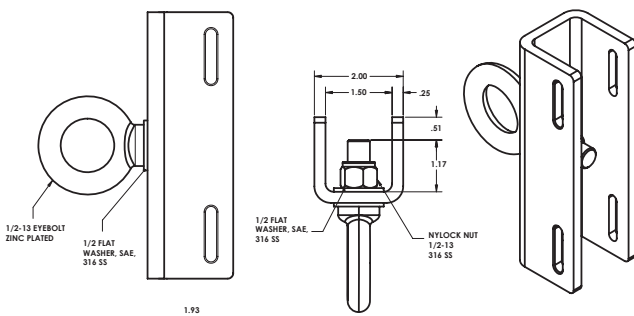
BAND STRAP KITS:

Three different length permanent band kits are available for the PM-Mount- 6UP and PM-SAFETY-6DOWN-G. Standard stock lengths include 20", 30" and 90". Choose from the PM-Band-20, PM-Band-30 and PM-Band-90. Each kit contains 2 assemblies. These kits, when used per instructions will support the stated working load of the selected pole adapter.

Model	Length	Width	Max Dia	WLL	Weight
PM-Band-20S	20"/50.8 cm	.50/13mm	6"/152mm	150 / 68kg	.7 lb / .32 kg
PM-Band-30	30"/76.2 cm	.75/19mm	6"/152mm	300 / 136kg	1.5 lb / 0.7 kg
PM-Band-90	90"/228.6 cm	.75/19mm	25"/635mm	300 / 136kg	2.5 lb / 1.1 kg

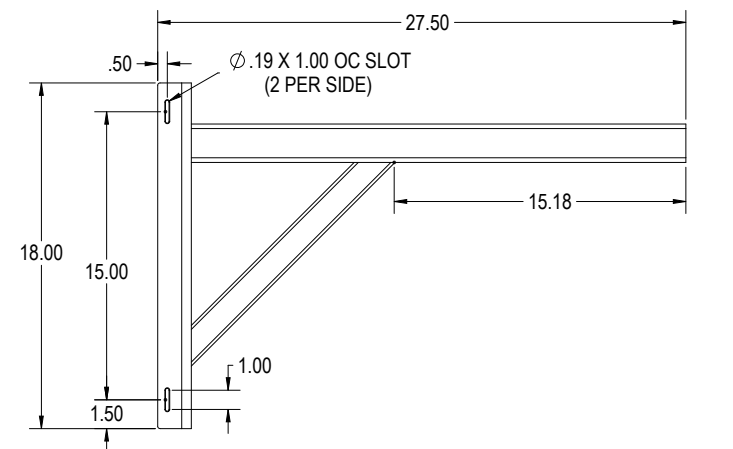
SAFETY ANCHOR / PM-Safety-6DOWN:

When the pole or column does not offer an adequate way to attach safety cables, specify the PM-Safety-6DOWN and corresponding band kit. This mount provides a structural method for anchoring safety cables. It installs above the dual adapter and safety cables are then secured to the safety anchor and each loudspeaker, thus by-passing the dual adapter completely.



SUPPORT ARM / PM-24-6UP-G:

The PM Series Support Arm is produced from rugged structural stainless steel in a natural finish and supports the stated working load of the selected pole adapter. Three different mounting holes allow for placement relative to the pole to allow clearance for tilt rotation. Decorative hole covers provide a finished look and hardware is included to secure Yoke and U-Bracket style mounts.



POLE ADAPTER / PM-MOUNT-6UP-G:

6" Diameter & Larger

For 6"/154mm diameter and larger poles and columns, use the PM-Mount- 6UP-G. This adapter offers a natural finish and supports up to 300 lb./68 Kg, in a vertical load with a 5:1 design factor. It is supported by the PM Series Support Arm, Dual Adapter and includes hardware for their attachment. There are two standard permanent band kits available in different lengths and are sold separately. Custom lengths are also available.

