

PM-MOUNT-6UP-G

OUTDOORS

ADAPTS SUPPORT ARM TO POLES 6" AND UP

PoleStar®



Use the PM-MOUNT-6UP-G for 6"/154mm diameter and larger poles and columns. This galvanized adapter offers a silver / gray finish and supports up to 300 lb./68 Kg, in a vertical load with a 5:1 design factor. It accommodates the PM Series Support Arm, Dual Adapter and includes hardware for their attachment.

There are two standard permanent band kits available in different lengths and are sold separately. Custom lengths are also available.



STANDARD FEATURES:

- ▶ Provides Multiple Mounting Holes
- ▶ Galvanized Steel Construction
- ▶ Load-Rated Components
- ▶ Mounts to Poles Using Stainless Band Kits
- ▶ Job-Site Ready

SPECIFICATIONS:

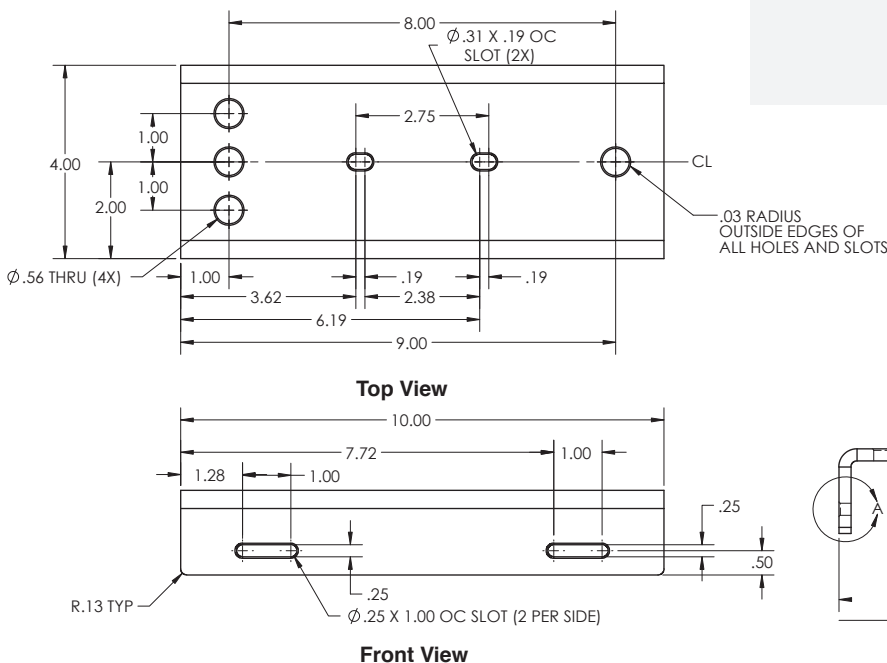
Material: Steel
Finish: Galvanized
Color: Silver / Gray
WLL: 300 lb / 136.078
 *WLL = Working Load Limit

PACKAGE CONTENTS:

1 pc: Mount Bracket
1 pc: Hardware kit.



Rated for outdoor use.



Adaptive Technologies Group
 1635 E. Burnett Street | Signal Hill, CA 90755 USA
 Ph: 562.424.1100 | Fax: 562.424.3520
 www.adaptivetechgroup.com



ALWAYS INSTALL SAFETY CABLES

WARNING: Mounting and/or suspension of audio and video equipment requires experienced professionals. Improperly installed loudspeakers can result in property damage, personal injury and/or liability to the installing contractor.

PM-MOUNT-6UP-G

OUTDOORS

OPTIONAL ACCESSORIES

PoleStar®

BAND STRAP KITS

Two different length permanent band kits are available for the PM-Mount- 6UP and - 6DOWN. Standard stock lengths include 30" and 90". Choose from the PM-Band-30 or PM-Band-90. Each kit contains a pair of bands and bolt kits. Custom lengths are also available. These kits, when used per instructions will support the stated working load of the selected pole adapter.

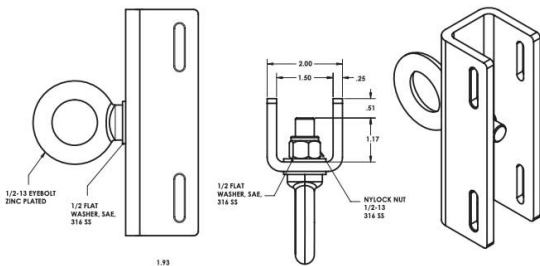
Model	Length	Width	Max Dia	WLL	Weight
PM-Band-30	30"/76.2cm	.75/19mm	6"/152mm	300 / 136kg	1.5 lb. /0.7 kg
PM-Band-90	90"/228.6mm	.75/19mm	25"/635mm	300 / 136kg	2.5 lb. /1.1 kg

SAFETY CABLES:

Model	Length	Diameter	Material	WLL	Color
SC-188-18-SS	18"/450	3/16" Wire Rope 7X19 (2) 1/4" Shackle	SS	750/ 340	Silver
SC-188-24-SS	24"/610	3/16" Wire Rope 7X19 (2) 1/4" Shackle	SS	750/ 340	Silver
SC-188-30-SS	30"/762	3/16" Wire Rope 7X19 (2) 1/4" Shackle	SS	750/ 340	Silver
SC-188-48-SS	48"/1220	3/16" Wire Rope 7X19 (2) 1/4" Shackle	SS	750/ 340	Silver
SC-188-72-SS	72"/1830	3/16" Wire Rope 7X19 (2) 1/4" Shackle	SS	750/ 340	Silver
SC-188-96-SS	26"/2438	3/16" Wire Rope 7X19 (2) 1/4" Shackle	SS	750/ 340	Silver

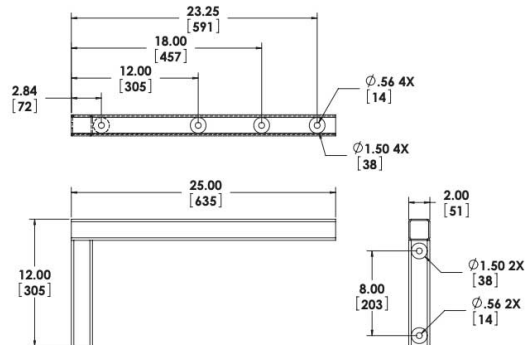
SAFETY ANCHOR / PM-SAFETY-6DOWN-G:

When the pole or column does not offer an adequate way to attach safety cables, specify the PM-Safety-6Down-G and corresponding band kit. This mount provides a structural method for anchoring safety cables. It installs above the pole adapter. Safety cables are then secured to the safety anchor and each loudspeaker, thus bypassing the pole adapter completely.



SUPPORT ARM / PM-SA-24:

The PM Series Support Arm is produced from rugged tubular stainless steel in a natural finish and supports the stated working load of the selected pole adapter. Three different mounting holes allow for placement relative to the pole to allow clearance for tilt rotation. Decorative hole covers provide a finished look and stainless hardware is included to secure Yoke and U-Bracket style mounts.



Adaptive Technologies Group
 1635 E. Burnett Street | Signal Hill, CA 90755 USA
 Ph: 562.424.1100 | Fax: 562.424.3520
 www.adaptivetechologiesgroup.com



ALWAYS INSTALL SAFETY CABLES

WARNING: Mounting and/or suspension of audio and video equipment requires experienced professionals. Improperly installed loudspeakers can result in property damage, personal injury and/or liability to the installing contractor.



Rated for outdoor use.