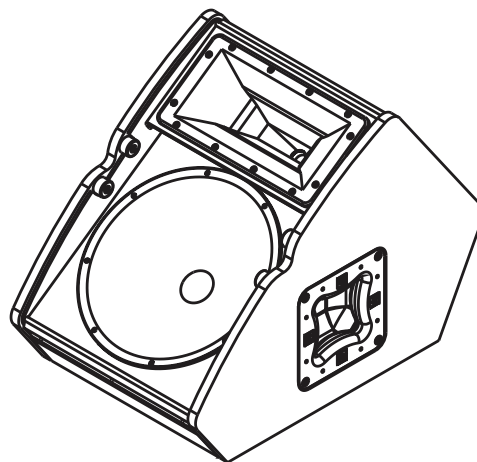


TX1122FM 12" Passive Floor Monitor



- 55° Compact Vertical Floor Monitor with Signal Synchronized Transducers
- 99dB Sensitivity, 132dB Maximum SPL
- DH3 1.25" (32mm) Diaphragm, 1" (25mm) Exit Pure Titanium Compression Driver
- SMX2121 12" (305mm) LF Transducer with Fully Symmetric Drive
- 500W Continuous (2000W Peak) Power Handling



The Electro-Voice® TX1122FM is a compact, high output dedicated floor monitor for use on small to medium-sized stages where high quality vocal and instrument applications are required in a lightweight package. The TX1122FM enclosure utilizes Signal Synchronized Transducers, a design that aligns the woofer and compression driver by locating them on separate baffles, and integrates a low distortion port between the baffles. This offers tremendous advantages over traditional flat baffle construction: the acoustic centers of the woofer and compression driver are closer together, synchronizing arrival time; the voice coils of the compression driver and woofer are in the same plane, achieving linear phase response; and the size of both baffles are smaller than a single baffle; resulting in a smaller footprint.

The TX1122FM utilizes the DH3, a high output 1.25" titanium compression driver, coupled to a Constant Directivity 90° x 50° horn. The SMX2121 12" woofer has an FEA optimized magnet structure and shorting ring for ultra-low distortion. The crossover uses steep 24 dB/octave slopes with equalization for very smooth response in vocal range, and has a built in protection circuit for long term reliability. The combination of the transducers, enclosure, and crossover result in a compact floor monitor that is capable of very high output levels before feedback.

The TX1122FM has a variety of features that make it well suited as a dedicated floor monitor. The internally braced enclosure is constructed out of a combination of plywood and MDF, and coated with EVCoat for maximum strength and durability. The unique grille design is very strong and dent resistant, and features a rotatable logo. Four way handles allow for gripping the TX1122FM in a variety of positions. The recessed input

panel with dual NL4 connectors is located on the rear of the enclosure, which keeps the connectors hidden and away from the performers on stage.

Parts included

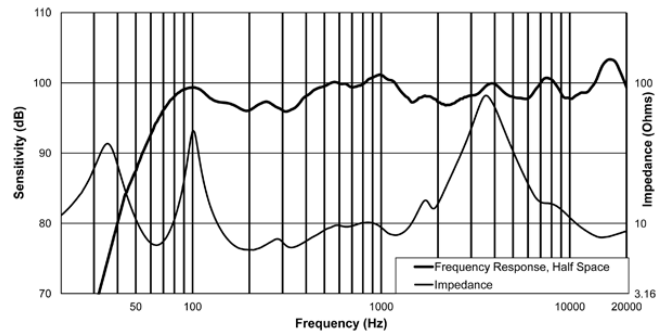
Quantity	Component
1	Floor monitor
1	User manual

Technical specifications

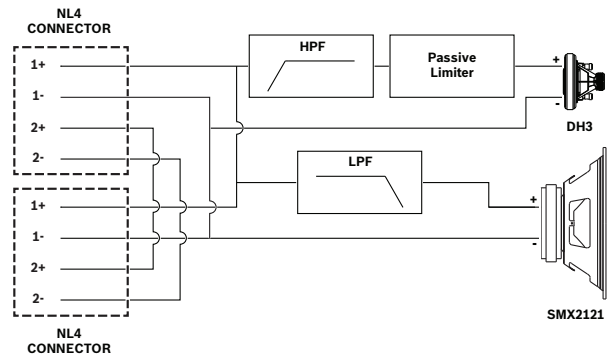
Frequency response (-3 70 Hz - 20 kHz dB) ¹ :
Frequency range (-10 55 Hz - 20 kHz dB) ¹ :
Rec. hipass frequency: 60 Hz
Axial sensitivity: 99 dB (1W/1m)
Max. calculated SPL: 132 dB
Horizontal coverage: 90°
Vertical coverage: 50°
Power handling: 500 W continuous, 2000 W peak
LF transducer: SMX2121, 12 in (305 mm) driver
HF transducer: DH3, 1.25 in (32 mm) diaphragm compression driver
Crossover frequency: 1600 Hz
Nominal impedance: 8 Ω
Minimum impedance: 6.4 Ω
Connectors: (2) Neutrik Speakon NL4's
Enclosure material: Plywood and MDF with EVCoat
Grille: 16 GA steel, black powdercoat, with rotatable logo
Color: Black
Dimensions (H x W x D) : 17.3 in x 14.3 in x 22.6 in (440 mm x 364 mm x 573 mm)
Net weight: 43.7 lb (19.8 kg)
Shipping weight: 49.2 lb (22.4 kg)

¹Half-space measurement.

Frequency response and impedance:



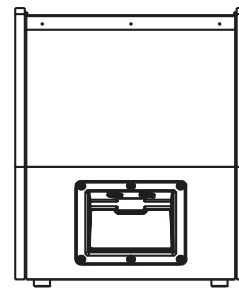
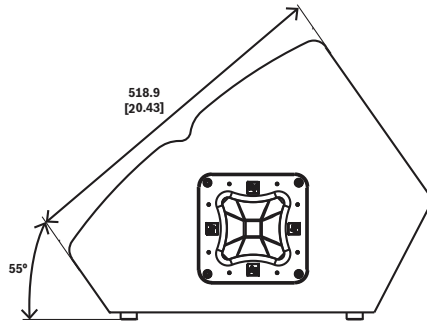
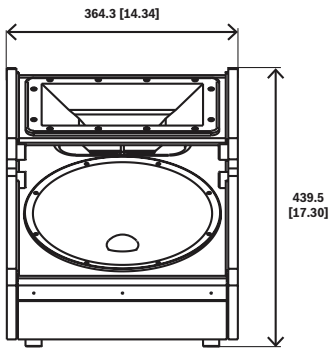
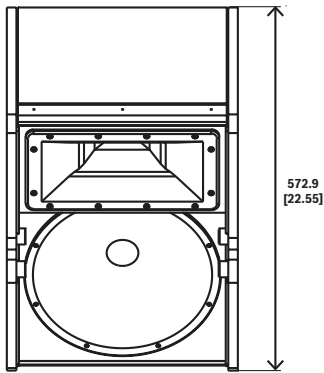
Block diagram:



Compatible System Solutions:

- PL80A Dynamic supercardioid microphone, black
- TX1152FM 15" 2-way passive floor monitor, black
- Dynacord L2800FD DSP power amplifier 2 x 1400 W
- Dynacord C2800FDi DSP power amplifier 2 x 1400 W, install

Dimensions:



mm[inch]

Ordering information

TX1122FM_HE 12" 2-way passive floor monitor, black

1 x 12" Floor Monitor, 99 dB, 500 W cont., black

Order number **TX1122FM_HE | F.01U.302.277**

Represented by:

Germany:
Bosch Sicherheitssysteme GmbH
Robert-Bosch-Ring 5
85630 Grasbrunn
Germany
www.electrovoice.com

Bosch Security Systems, LLC
12000 Portland Avenue South
Burnsville MN 55337
USA