



Model No.

# LWR-3519

## Heavy Duty, Sectional Wall Rack

Panel Space:	35U or 61.25" [1556 mm]
Overall Height:	67.38" [1711 mm]
Overall Depth:	19.05" [484 mm]
Usable Depth:	16.00" [406 mm], allowing partial extension of equipment into backbox
Overall Width:	23.06" [586 mm]
Load Capacity:	300 lbs. [136 kg] (UL Listed)



WALL RACK features welded 16-gauge certified US steel backbox and front mounting section. Ships in two cartons so backbox can be field installed while front is loaded at the shop. Black wrinkle texture powder epoxy finish.

## FEATURES

### BACKBOX:

- 5.80"D with keyhole mounting slots on 16" centers
- 10"x10" opening accommodates electrical pull box
- 1/4-20 ground stud
- Embossed dimples on back plane for installation of board-mounted accessories
- Top and bottom have a laser-cut knockout panel with combination EKO's for conduit (1/2"-3/4" and 1"-1-1/2") and KO's for wireless antennae (1/2").
- Side locks (2) are keyed differently than optional door.

### FRONT MOUNTING SECTION:

- 13.06"D, welded sides, fully gusseted corners, triple formed (side-to-bottom, side-to-top) wrap design mounts to backbox from inside with 2 heavy duty (self seating, positive locking) spring-loaded L-pins (move pins to change swing orientation). Strength equivalent to 3/16" steel. Front and side vents. Beveled front corners. Roller closure keeps front closed without mandatory locking.
- Top/bottom KO's for wireless antennae and integral rails on EIA spacing for mounting or lacing.
- **Rack Rails:** 1 pair (35U) 11-gauge steel rails with black finish, 10-32 threaded holes and numbered RU increments. Recessed 0.625"

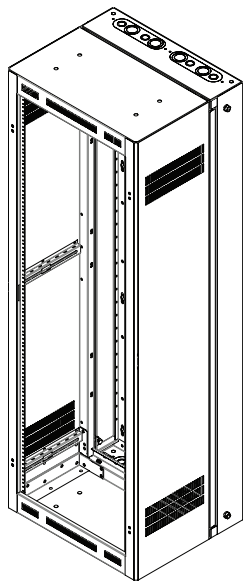
**INSTALLATION:** Minimum clearance to allow mounting section to swing open 90 degrees is 13.26" (+1" for optional door). Mounting section can swing open more than 90 degrees if room is provided.

**HARDWARE:** Black pilot point screws with captive washers for quick installation.

**COMPLIANCE:** EIA/TIA compliant. RoHS compliant. UL 2416 Listed in US and Canada.

### OPTIONAL:

- **Surface-mount front door:** solid steel (LFD-35), fully-vented steel (LFD-35FV), or smoked plexiglass (LFD-35P)
- Additional pair of 35U mounting rails (RRD-35)



## A&E SPECIFICATIONS

The EIA compliant, UL2416 listed, welded sectional wall rack shall be Lowell LWR-3519, which shall consist of a backbox and mounting section made in the USA from 16 gauge certified US steel. Overall measurements shall be 67.38"H x 19.05"D x 23.06"W, providing 35U panel space. The mounting section shall be 13.06"D with triple formed side-to-bottom, side-to-top wrapped construction to achieve strength equivalent to 3/16" thick steel. It shall feature side vents, one pair adjustable mounting rails tapped 10-32, four knockouts for antennae (top and bottom), and integral rails on EIA spacing (top and bottom). The mounting section shall attach to the backbox on the inside with two heavy duty, spring-loaded L-pins (self seating, positive locking), which can be attached on either side to alter swing orientation. The backbox shall be 5.80"D with keyhole mounting slots on 16" centers, a 10" x 10" rear opening, embossed dimples and lacing points on the back plane, knockout panels with combination knockouts (1/2"-3/4", and 1"-1-1/2"), and two keyed side locks. The rack shall have a black wrinkle powder epoxy finish.

## OPTIONAL ACCESSORIES

- Solid steel surface-mount front door with key lock, model LFD-35
- Smoked plexiglass surface-mount front door with key lock, model LFD-35P
- Fully-vented surface-mount front door with key lock, model LFD-35FV
- Additional pair of mounting rails, model RRD-35.

## LWR SERIES SUMMARY

Model No.	Rack Units	Overall Depth	Usable Depth*	Overall Height	Usable Height	Overall Width	Load Capacity	Adjustable Rails	UL Listed
LWR-719	7 U	19.05 [484]	16.00 [406]	18.38 [467]	12.25 [311]	23.06 [586]	125 lbs	1 pr	Yes
LWR-1019	10 U	19.05 [484]	16.00 [406]	23.63 [600]	17.50 [445]	23.06 [586]	150 lbs	1 pr	Yes
LWR-1219	12 U	19.05 [484]	16.00 [406]	27.13 [689]	21.00 [533]	23.06 [586]	150 lbs	1 pr	Yes
LWR-1619	16 U	19.05 [484]	16.00 [406]	34.13 [867]	28.00 [711]	23.06 [586]	200 lbs	1 pr	Yes
LWR-1819	18 U	19.05 [484]	16.00 [406]	37.50 [953]	31.50 [800]	23.06 [586]	250 lbs	1 pr	Yes
LWR-2119	21 U	19.05 [484]	16.00 [406]	42.88 [1089]	36.75 [933]	23.06 [586]	250 lbs	1 pr	Yes
LWR-2419	24 U	19.05 [484]	16.00 [406]	48.13 [1223]	42.00 [1067]	23.06 [586]	300 lbs	1 pr	Yes
LWR-3519	35 U	19.05 [484]	16.00 [406]	67.38 [1711]	61.25 [1556]	23.06 [586]	300 lbs	1 pr	Yes
LWR-723	7 U	23.05 [585]	20.00 [508]	18.38 [467]	12.25 [311]	23.06 [586]	125 lbs	1 pr	Yes
LWR-1023	10 U	23.05 [585]	20.00 [508]	23.63 [600]	17.50 [445]	23.06 [586]	150 lbs	1 pr	Yes
LWR-1223	12 U	23.05 [585]	20.00 [508]	27.13 [689]	21.00 [533]	23.06 [586]	150 lbs	1 pr	Yes
LWR-1623	16 U	23.05 [585]	20.00 [508]	34.13 [867]	28.00 [711]	23.06 [586]	200 lbs	1 pr	Yes
LWR-1823	18 U	23.05 [585]	20.00 [508]	37.50 [953]	31.50 [800]	23.06 [586]	250 lbs	1 pr	Yes
LWR-2123	21 U	23.05 [585]	20.00 [508]	42.88 [1089]	36.75 [933]	23.06 [586]	250 lbs	1 pr	Yes
LWR-2423	24 U	23.05 [585]	20.00 [508]	48.13 [1223]	42.00 [1067]	23.06 [586]	300 lbs	1 pr	Yes
LWR-3523	35 U	23.05 [585]	20.00 [508]	67.38 [1711]	61.25 [1556]	23.06 [586]	300 lbs	1 pr	Yes
LWR-1228	12 U	28.05 [712]	25.00 [635]	27.13 [689]	21.00 [533]	23.06 [586]	200 lbs	1 pr	---
LWR-1628	16 U	28.05 [712]	25.00 [635]	34.13 [867]	28.00 [711]	23.06 [586]	250 lbs	1 pr	---
LWR-1828	18 U	28.05 [712]	25.00 [635]	37.50 [953]	31.50 [800]	23.06 [586]	250 lbs	1 pr	---
LWR-2428	24 U	28.05 [712]	25.00 [635]	48.13 [1223]	42.00 [1067]	23.06 [586]	300 lbs	1 pr	---
LWR-1232	12 U	32.05 [814]	29.00 [737]	27.13 [689]	21.00 [533]	23.06 [586]	200 lbs	1 pr	---
LWR-1632	16 U	32.05 [814]	29.00 [737]	34.13 [867]	28.00 [711]	23.06 [586]	250 lbs	1 pr	---
LWR-1832	18 U	32.05 [814]	29.00 [737]	37.50 [953]	31.50 [800]	23.06 [586]	250 lbs	1 pr	---
LWR-2432	24 U	32.05 [814]	29.00 [737]	48.13 [1223]	42.00 [1067]	23.06 [586]	300 lbs	1 pr	---

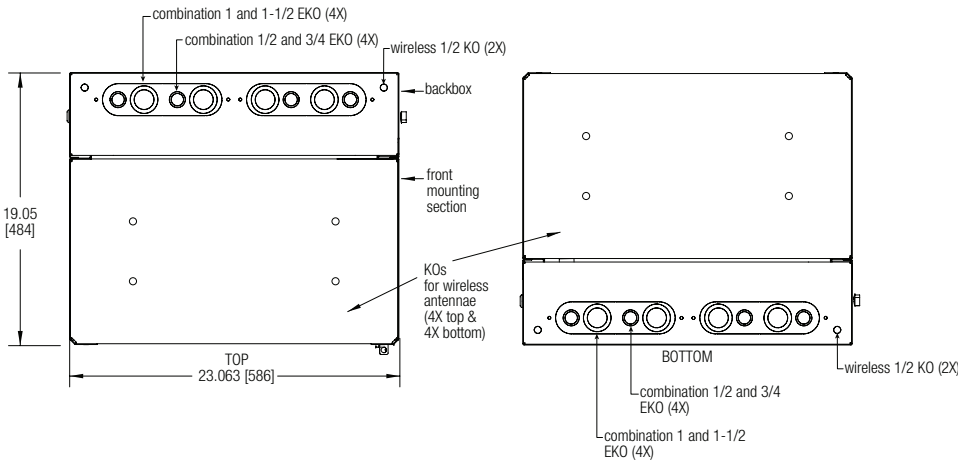
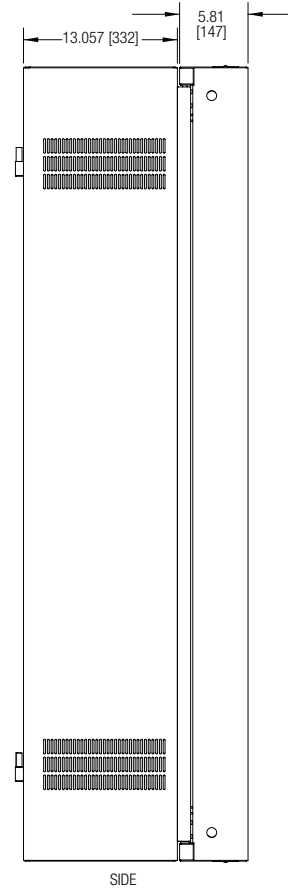
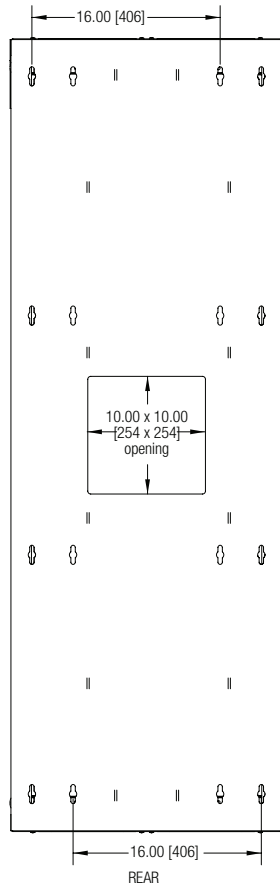
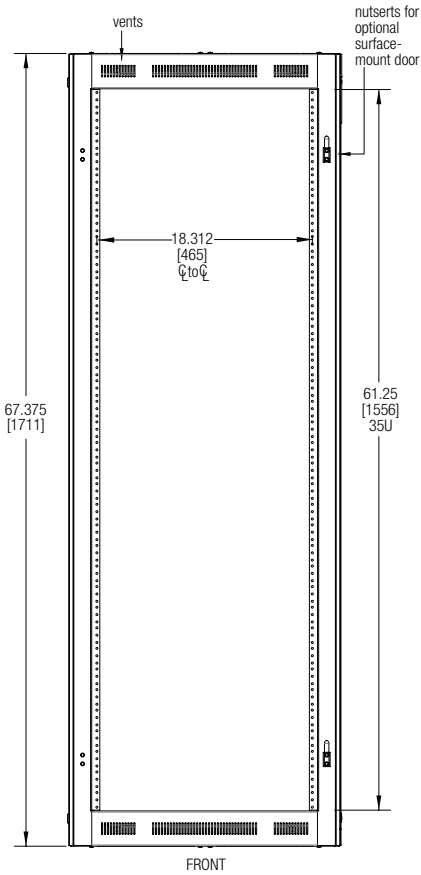
\*Usable Depth allows partial extension of equipment into backbox. Rack dimensions (rounded) – inches and [mm]; 1U = 1.75"

THIS SPEC



# TECHNICAL DRAWINGS

Dimensions are inches and [mm] unless stated otherwise.



### CORNER INSTALL DETAIL (19"D rack)

- Minimum clearance to open 90 degrees = 13.26"
- Allow additional 1" for optional door depth
- Allow sufficient clearance to access side locks (5")

