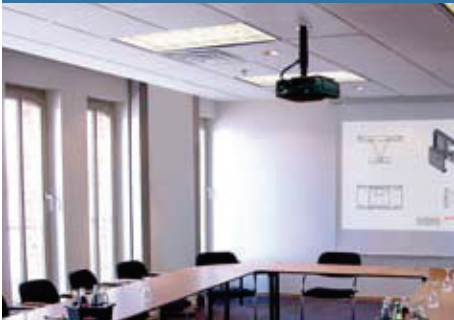


# PJF2-UNV(-S) PJF2-1(S)

## PJF2 Projector Mount For Multimedia Projectors up to 50 lb (22 kg)

Vector Pro™ II provides a clean look with its cable management capabilities. The included extension column connector incorporates internal cable management paths that keep unsightly cords concealed from view. The mount also features a ceiling plate, ball and socket design, multidirectional positioning (roll, pitch and yaw) for proper image alignment and preinstalled security hardware at every connection point. This projector mount is perfect for use in classrooms, boardrooms, hotels, bars and restaurants or anywhere a projector needs to be mounted. The Vector Pro™ II can be flush mounted to the ceiling or mounted on the wall. It can also be mounted using 1-1/2" (38 mm) diameter extension column or 1/2" (38 mm) thread rod.



Max load: 50 lb (22 kg)

### FEATURES

- Pre-installed security screws at all connection points
- Quick-release mechanism to easily service projector
- Features a 1-1/2" (38 mm) cable access hole allowing cables to be routed through projector mount out of sight
- Pre-assembled design reduces installation time
- Structural ceiling plate included for flush mounting applications
- Spider® Universal Adapter Plate extends up to 17.63" (448 mm) to fit most projector models
- Specifications:

Tilt: ±15°  
Roll: ±15°  
Swivel: 360°

All with positive lock at any degree

- **QUICK IMAGE ALIGNMENT**  
Single point of adjustment for quick image alignment

- **EFFORTLESS PROJECTOR MAINTENANCE**  
With its intuitively designed quick-release thumbscrew that smoothly unwinds to enable easy-glide removal of the projector in and out of the mount. No tools required.



- **UNIVERSAL COMPATIBILITY**  
Includes the Spider® Universal Adapter Plate which extends up to 17.63" (448 mm) to fit most projector models



Tamper Resistant Hardware



Includes 1 1/2" (38 mm) Internal Cable Management Access Hole



Model Specific Adapters Available



## Model Numbers

**WARRANTY:** Limited 5-year

<b>PJF2-UNV(-S):</b>	PJF2 Projector Mount with Spider® Universal Adapter Plate
<b>PJF2-1(S):</b>	PJF2 Projector Mount (PAP model adapter plate required)

## Product Specifications

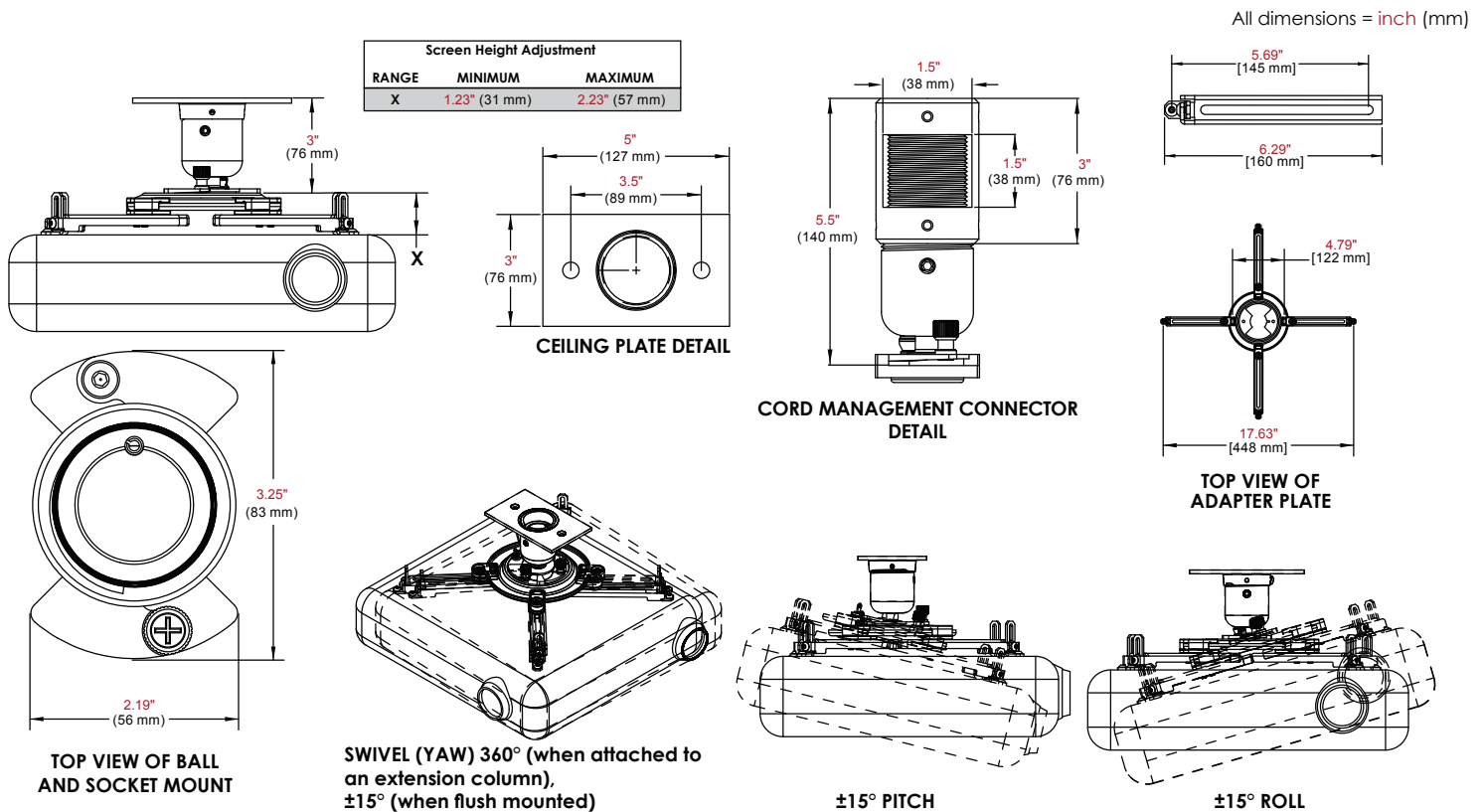
	DIMENSIONS (W x H x D)	PRODUCT WEIGHT	LOAD CAPACITY	FINISH	AVAILABLE COLORS
<b>PJF2-UNV(-S)</b>	8.5-17.63" x 4.23-7.73" x 8.5-17.63" (216-448 x 107-196 x 216-448 mm)	3.08 lb (1.4 kg)	50 lb (22 kg)	Scratch resistant fused epoxy	PJF2-UNV: Black PJF2-UNV-S: Silver PJF2-1: Black PJF2-1S: Silver
<b>PJF2-1(S)</b>	3.25" x 3.13" x 3.25" (83 x 79 x 83 mm)	1 lb (.5 kg)			

## Package Specifications

	PACKAGE SIZE (W x H x D)	PACKAGE SHIP WEIGHT	PACKAGE UPC CODE	PACKAGE CONTENTS	UNITS IN PACKAGE
<b>PJF2-UNV(-S)</b>	9.5" x 2.5" x 12.75" (241 x 64 x 324 mm)	3.58 lb (1.6 kg)	PJF2-UNV: 735029235545 PJF2-UNV-S: 735029235552	Vector Pro™ II Projector Mount, Spider® Universal Adapter Plate, ceiling plate, mounting and projector attachment hardware, assembly instructions	1
<b>PJF2-1(S)</b>	4" x 4" x 8" (101 x 101 x 203 mm)	1.3 lb (.6 kg)	PJF2-1: 735029233862 PJF2-1S: 735029233879	Vector Pro™ II Projector Mount, ceiling plate, mounting attachment hardware, assembly instructions	

## Accessories

<b>CMJ Models, ACC570, ACC571, ACC912:</b>	Ceiling Kits	<b>ACC830:</b>	Side-to-Side Adjuster
<b>ACC840/845:</b>	Anit-Vibration Mount	<b>PWA14 &amp; EXA/B:</b>	Wall Mount Arm
<b>ADJ, EXT and EXA/B/C:</b>	Extension Columns	<b>ACC050:</b>	Stability Kit
<b>ACC800/850 &amp; ACC852/856:</b>	Cable Management Adapter		



## ARCHITECTS SPECIFICATIONS

The Vector Pro II projector mount shall be a Peerless Model PJF2 UNV or PJF2 UNV-S and shall be mounted where indicated on the plans. It shall feature 30° (±15°) pitch, 30° (±15°) roll, and 360° (±180°) yaw. It shall have a 50 lb load capacity. It shall have a quick release spring loaded screw for easy removal and installation of the projector. It shall feature security screws. It shall be constructed of aluminum and nylon finished in black or silver. The main housing is constructed of aluminum. The connector, which locks into the steel adapter plate, is constructed of nylon and is secured to the aluminum ball joint with a 1/4 -20 x 1 1/2" long steel bolt. The nylon material can take direct heat up to 250° without any deformation. Its melting point is 500° F. The Vector Pro II is capable of holding up to 50 lb at the maximum 15° roll or pitch. Installation and assembly shall be done in accordance with the instructions provided by the manufacturer.