

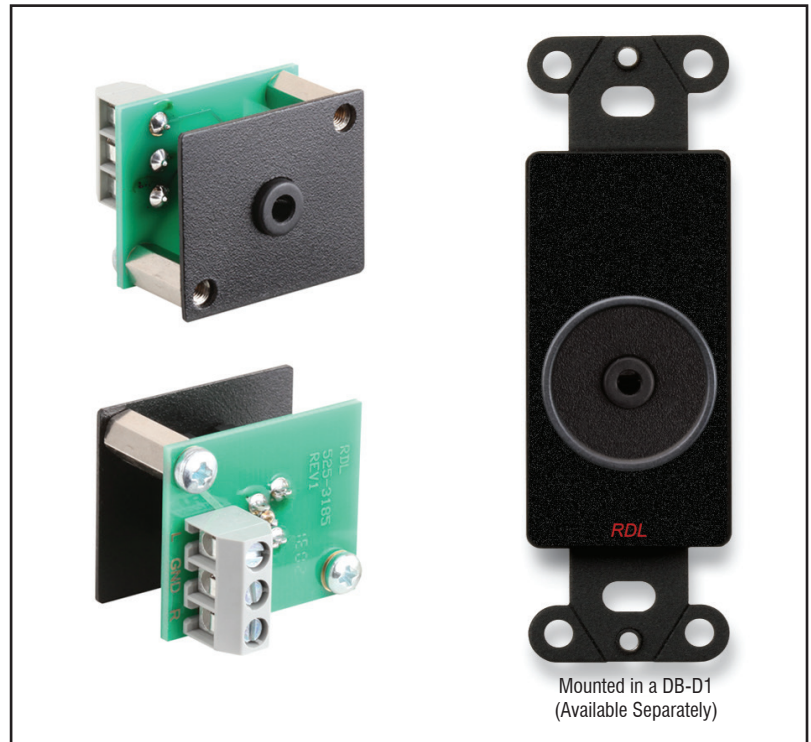
ACCESSORIES

Model AMS-1/8F

1/8" Stereo Mini-Jack

Terminal block connections

- Mounts in D-Style Standard Cutouts
- Mounts in all AMS Mounting Frames
- Mounts in RDL Decora-Style Wall Plates
- Availability of a Wide Variety of Associated AMS Accessories
- Bezel Provides Professional Aesthetic Appearance
- Provides Flexibility for Connections and Controls



The AMS SYSTEM is a versatile product group from Radio Design Labs. The unique design allows the associated AMS accessories to mount into any standard RDL RACK-UP® or HALF-RACK mounting opening as well as other RDL mounting accessories and enclosures. These optionally available RDL rack mount, wall mount and countertop enclosures make the AMS SYSTEM accessories useful in a wide variety of installations.

APPLICATION: The AMS-1/8F is an accessory that mounts in AMS mounting frames and in standard D-style cutouts. It features a high quality stereo Mini-Jack that may be used as a line output, line input or headphone jack. A high quality terminal block is provided for external connections. The front plate is constructed of black satin powder coated steel. A black plastic bezel is provided to finish the D-style cutout hole when the accessory is mounted. These accessories are designed to mount behind the front panel of industry products that provide D-style cutouts.


ACCESSORIES

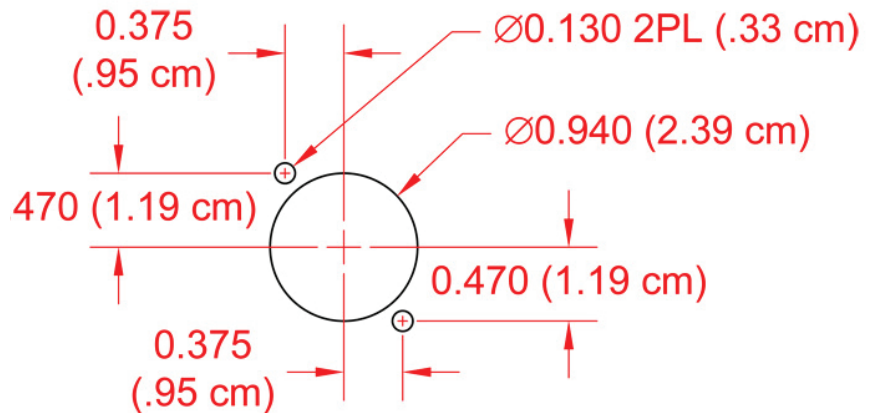
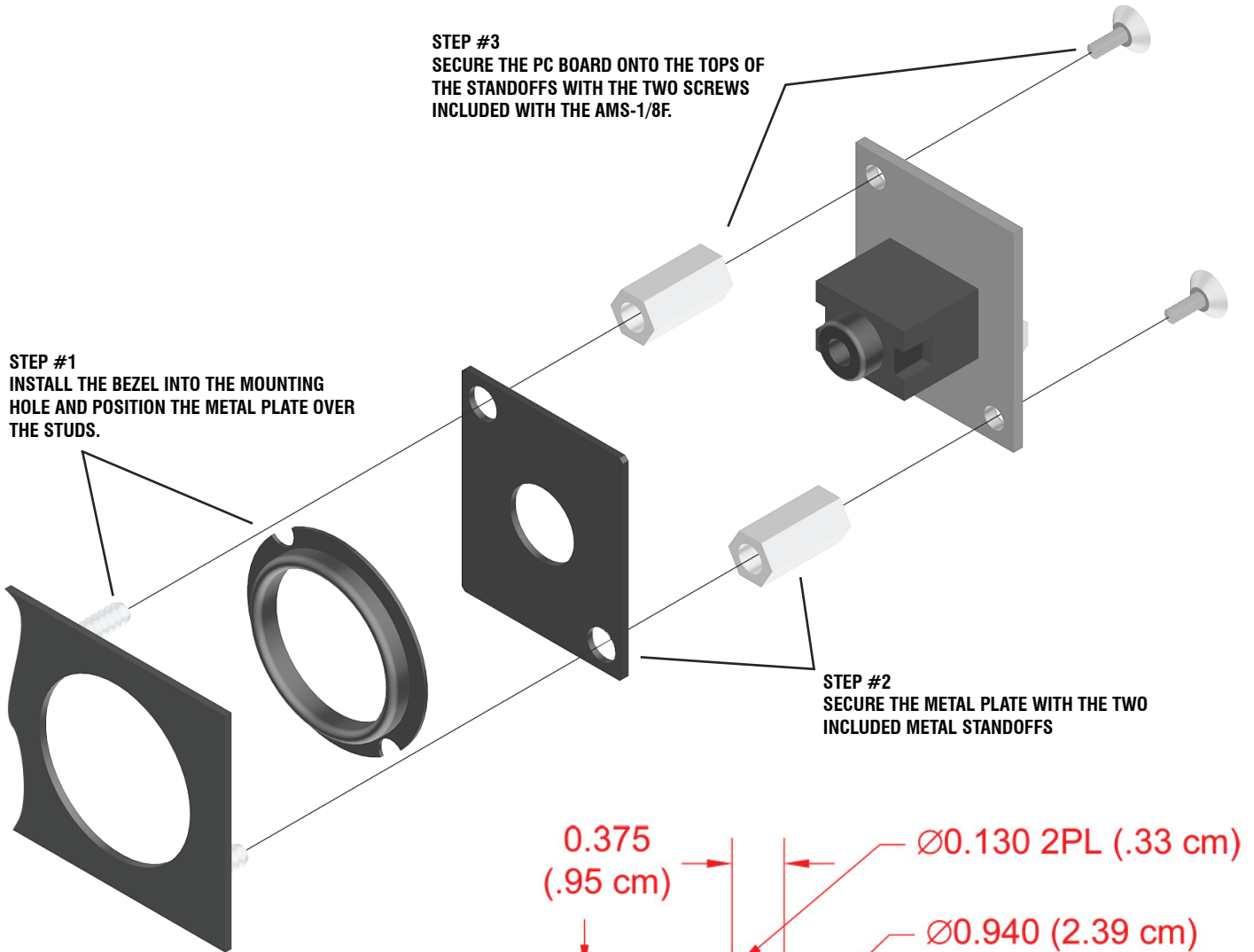
Model AMS-1/8F

1/8" Stereo Mini-Jack

Terminal Block Connections

Installation/Operation

 Declaration of Conformity available from rdlnet.com.
Sole EMC specifications provided on product package.
Specifications are subject to change without notice.



Front View
Standard D-Style Cutout Dimensions

TYPICAL PERFORMANCE

Mounting:	AMS mounts; D-Style cutouts
Depth (behind the panel):	1.05 in
Ambient Operating Environment:	-20 to 70 degrees C