



# RDL®

High Performance Audio Products. Made in America.

## ACCESSORIES

### Models D-RLC10KM, DB-RLC10KM, DS-RLC10KM Remote Level Control with Muting

- Remote Level Control Panel
- Mute Button Toggles Output On and Off
- Red/Green On/Off Mute Indicator
- Single-Turn Rotary Control
- Single Control Location
- Direct Connection to RDL VCA Modules
- Direct Control of Modules with RJ45 VCA Control
- RJ45 or Discrete Wiring Connections on Detachable Terminal Block
- Available in Standard RDL White, Stainless or Black



### Models D-RLC10K, DB-RLC10K, DS-RLC10K Remote Level Control

- Remote Level Control Panel
- Single-Turn Rotary Control
- Single Control Location
- Direct Connection to RDL VCA Modules
- Discrete Wiring Connections on Detachable Terminal Block
- Available in Standard RDL White, Stainless or Black



**D SERIES-RLC10KM:** The -RLC10KM is the ideal companion to the RDL VCA modules where levels are to be controlled from a single remote location and pushbutton muting is desired. It is designed to directly interface with the 3 wire control input of an RDL VCA module. A single shielded pair is normally used. The -RLC10KM contains a long life 10 k $\Omega$  potentiometer for setting the control voltage. The front panel has 10 graphic increments which provide a visual indication of the level setting. A MUTE button alternately mutes or un-mutes the audio in the associated RDL VCA product. An LED MUTE indicator glows red when the output is muted (0 volts dc), and turns green when the output is active (dc output voltage set by control). The rear panel mute terminal is an open collector which is active when the module is muted. The D-RLC10KM features a standard RDL white front panel. The DB-RLC10KM features a black front panel. The DS-RLC10KM is offered in stainless steel with custom lettering available. These finishes match other RDL remote selectors and jack plates for a visually appealing installation of multiple controls.

**D SERIES-RLC10K:** The -RLC10K is the ideal companion to the RDL VCA modules where levels are to be controlled from a single remote location. It is designed to directly interface with the 3 wire control input of an RDL VCA module. A single shielded pair is normally used. The -RLC10K contains a long life 10 k $\Omega$  potentiometer for setting the control voltage. The front panel has 10 graphic increments which provide a visual indication of the level setting. The D-RLC10K features a standard RDL white front panel. The DB-RLC10KM features a black front panel. The DS-RLC10K is offered in stainless steel with custom lettering available. These finishes match other RDL remote selectors and jack plates for a visually appealing installation of multiple controls.



# RDL<sup>®</sup>

High Performance Audio Products. Made in America.

## Installation/Operation

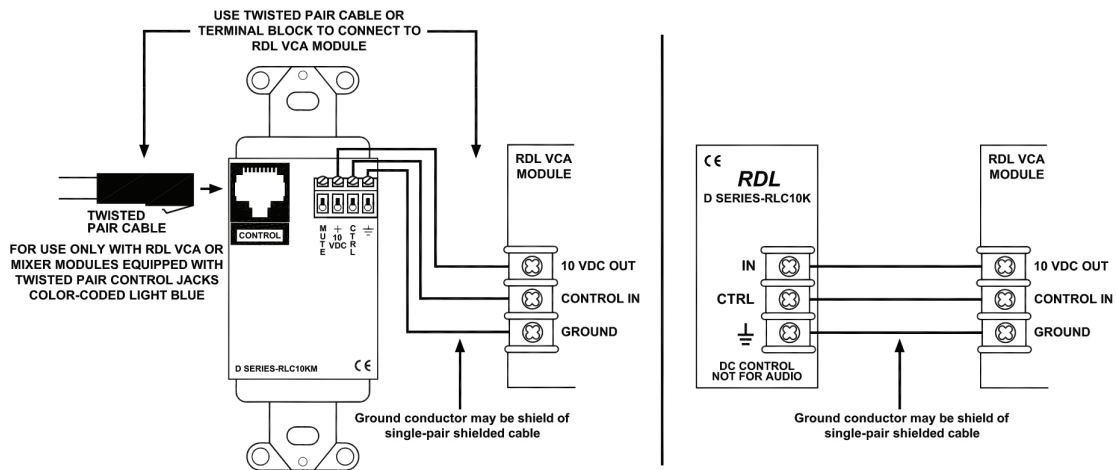
### ACCESSORIES

Models D-RLC10KM, DB-RLC10KM, DS-RLC10KM  
Remote Level Control with Muting

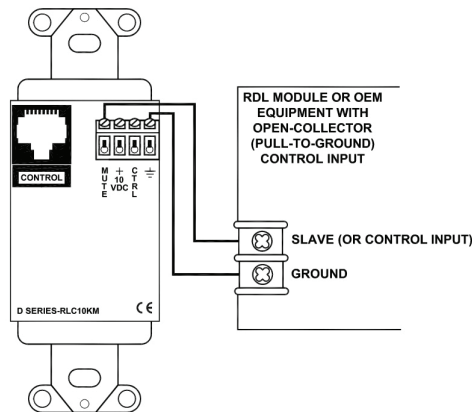
Models D-RLC10K, DB-RLC10K, DS-RLC10K  
Remote Level Control

Declaration of Conformity available from rdlnet.com.  
Sole EMC specifications provided on product package.  
Specifications are subject to change without notice.

### CONNECTIONS FOR VCA VOLUME CONTROL



### CONNECTIONS TO TRIGGER MODULES/EQUIPMENT WHEN RLC10KM IS MUTED



### TYPICAL PERFORMANCE

Resistance: 0 to 10 k $\Omega$ , linear

Mute button (-RLC10KM): Momentary

Indicator (-RLC10KM): Red = Muted (dc variable output = 0 volts); Green = Active (dc variable output tracks front panel knob)

MUTE Output: 25 mA open-collector

Connector(2): RJ45 or Detachable Terminal Block (D SERIES-RLC10KM)  
Detachable Terminal Block (D SERIES-RLC10K)

Mounting: Mounts in standard US electrical box; cover plate available separately

Dimensions -RLC10K: Height: 4.1 in. 10.4 cm; Depth: 1.16 in. 2.95 cm (without knob);  
Depth: 1.7 in. 4.38 cm (with knob); Width: 1.3 in. 3.3 cm

Dimensions -RLC10KM: Height: 4.1 in. 10.4 cm; Depth: 1.44 in. 3.7 cm (without knob);  
Depth: 2 in. 5 cm (with knob); Width: 1.7 in. 4.33 cm

Safety Instructions/Consignes de sécurité/  
Instrucciones de seguridad/Sicherheitshinweise:



EU Importer:  
Importateur de l'UE:  
Importador de la UE:  
EU-Importeur:

RDL Europe B.V.  
Joan Muyskenweg 124  
1114 AN Amsterdam