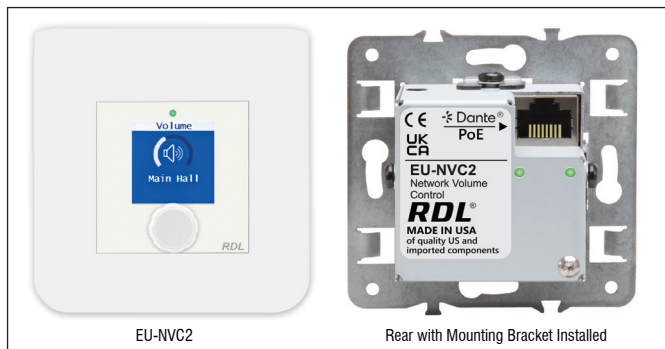




# RDL®

High Performance Audio Products. Made in America.

## Model EU-NVC2 Network Volume Control



- Rotary Encoder Volume Control with Full-Color LCD Display
- Attenuation Applied to One or Two Dante/AES67 Audio Channels
- Network Audio Channels are Routed Through the EU-NVC2
- Knob Rotation Adjusts Audio Volume Up or Down
- Attenuation Adjustment in 1 dB Steps From 0 to 63 dB then Mute
- Programmable Knob Action Acceleration
- Momentary Knob Push to Mute/Unmute with Screen Indication
- Extended Knob Push to Open Menu
- Menu Allows User to Adjust Output Channel A, B or Both
- Option to Sum Stereo Input to Mono on Outputs A and B Using RDL CONSOLE
- Installer Sets Menu Default and Defines Channel Names Using RDL CONSOLE
- The EU-NVC2 May be Remote Controlled by the RDL D-NMC1R or D-NLC1R
- Selectable Screen Display Color Themes Using RDL CONSOLE
- Adjusts Levels of Network Audio Signals Routed Through It\*
- Displays Audio Attenuation Level Applied to Routed Signals\*
- PoE Powered

**APPLICATION:** The EU-NVC2 is a rotary remote control that provides volume control and muting on one or two Dante/AES67 network audio channels. One or two mono audio sources or one stereo audio source may be routed to the EU-NVC2, then from the EU-NVC2 to a network destination, typically a power amplifier. Audio level adjustment is performed digitally in the EU-NVC2. The installer has the option of setting the unit to sum the left and right channels of a stereo source with the mono sum feeding both outputs. The level of each output channel may be adjusted separately or together. If two or more user adjustment controls are desired in the same zone, an RDL D-NMC1R may be used to remote control the EU-NVC2, allowing adjustment by either unit. Network bandwidth typically supports up to 4 remote controls per zone.

Opening the installer-enabled MENU provides for selecting which output channel to adjust or to select simultaneous adjustment of both outputs. The EU-NVC2 connects to a local network that may include compatible RDL audio and control modules as well as Dante devices from RDL and other manufacturers. The unit is menu-driven using a full-color LCD display.

The VOLUME display shows the relative level using segments in a circular pattern. The level is adjusted by the user using the rotary encoder knob with mechanical detents. The knob rotation includes pre-programmed acceleration when the knob is turned quickly, such as to reduce an unexpectedly high level or feedback. The installer can refine the acceleration during the unit setup in CONSOLE. A user can mute the audio by momentarily pushing the knob. The muted condition is shown on the display, as well as on the display of other RDL remote controls that are set to control the volume of the EU-NVC2. While muted, the next momentary knob push will unmute the audio at its prior volume setting. If, instead, the user rotates the knob clockwise, the volume will ramp up, from fully “off”, according to the rotation of the knob.

Each function may be configured to automatically lock after 30 seconds of inactivity. Inactivity timeout is programmable by the installer. When a function is locked, a passcode is required to unlock that function. The passcode is programmable by the installer and may be reprogrammed if required. After 30 seconds of adjustment inactivity, the EU-NVC2 display is dimmed. It returns to normal intensity upon any knob activity.

The field-upgradable EU-NVC2 provides stereo to mono summing and independent or single output volume control of network audio in an intuitive and attractive interface that is flexible and powerful, yet simple to operate.

\*Note: Network audio flows pass through and are directly adjusted by the EU-NVC2. The EU-NVC2 may also be remotely controlled by compatible remote controls such as the RDL D-NMC1R or D-NLC1R.



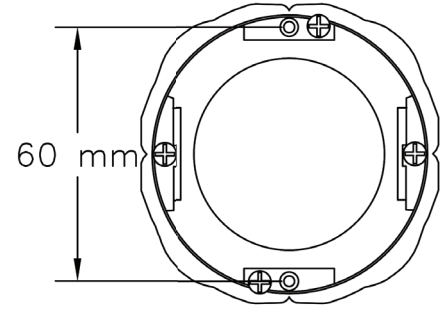
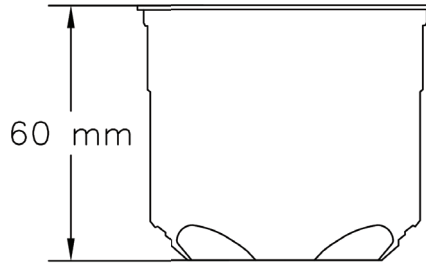
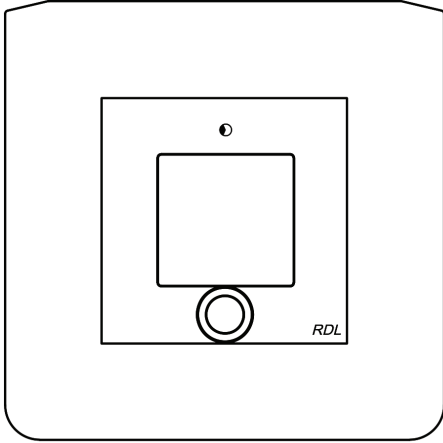
# RDL<sup>®</sup>

High Performance Audio Products. Made in America.

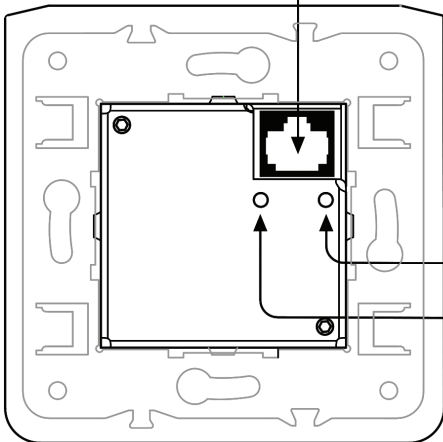
## Installation/Operation

**CE** Declaration of Conformity available from [rdlnet.com](http://rdlnet.com).  
Sole EMC specifications provided on product package.  
Specifications are subject to change without notice.

### Model EU-NVC2 Network Volume Control



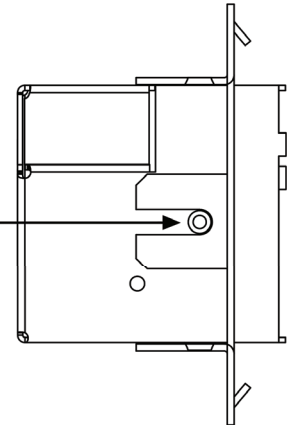
DANTE OR AES67  
NETWORK CONNECTION



Data Activity LED  
(Green)

100 Mbps LED (Green)  
-Must be illuminated-

4 x Torx Screw  
Hand tighten only; Do NOT overtighten.



#### TYPICAL PERFORMANCE

Network Connector:	RJ45 with LED indicators
Transmission Rate:	100 Mbps
Indicators (3):	Ethernet Link and Speed (2, rear panel); Power (front panel)
Screen:	Color LCD 240 x 240 pixels
Rotary Control:	Knob push short: Mute/Unmute or Enter; Knob push long: Menu selection; Knob rotation: Level Up/Down
Ambient Operating Environment:	0° C to 40° C; 30° C maximum recommended
Power Requirement:	PoE Class 0, IEEE 802.3af
Mounting:	60 mm deep EU Junction Box; 45 x 45 mm adapter plate included
Dimensions:	1.77" (4.50 cm) W; 1.77" (4.50 cm) H; 1.94" (4.93 cm) D
Package Type:	Cardboard Box
Package Dimensions:	2.25 x 4.3 x 4.9 in.
Shipping Weight:	0.540 lb.
WEEE weight:	0.360 lbs.

Safety Instructions/Consignes de sécurité/  
Instrucciones de seguridad/Sicherheitshinweise:



EU Importer:  
Importateur de l'UE:  
Importador de la UE:  
EU-Importeur:

RDL Europe B.V.  
Joan Muyskenweg 124  
1114 AN Amsterdam