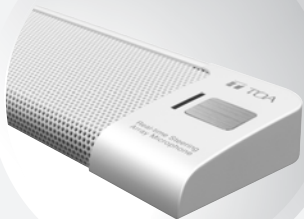




AM-1

Steering array microphone



Talk to your audience,
not to the microphone.

Equipped with a built-in sensor to detect and track sound sources, the TOA Steering Array Microphone captures voices clearly and continuously from either side, above or below. This frees speakers to move back and forth in the vicinity of the podium, turn or tilt their heads to address different sections of the audience, or gesture naturally without concern for the location of the microphone. Placed unobtrusively on top of the podium or pulpit, this innovative voice-tracking or handheld microphone completely eliminates the interference and inconvenience of gooseneck mics.



Intuitive, trouble-free setting and monitoring

PC browser software permits adjustment of control unit parameter settings.

- Tracking distance/range
- Tracking sensitivity/speed
- Mute on/off

Unprecedented voice-tracking capability

Features a unique ability to detect the speaker's voice, and to track and capture it clearly and reliably, even if the speaker is moving.

- Built-in voice detection/tracking sensor
- Voice capture from up to 3 meters and to tracking range angles up to 180 degrees
- Level compensation for reduced volume variations
- Narrow (50-degree) directivity assuring minimal acoustic feedback



Microphone unit - Front view

Unobtrusive desktop design

Adopts an innovative pad-like form permitting unobtrusive placement flat on the podium.

- Removal of barrier between speaker and audience
- Freedom to adopt a comfortable speaking posture
- Ability to move and gesture naturally



Black



White



Control unit - Rear

SPECIFICATIONS

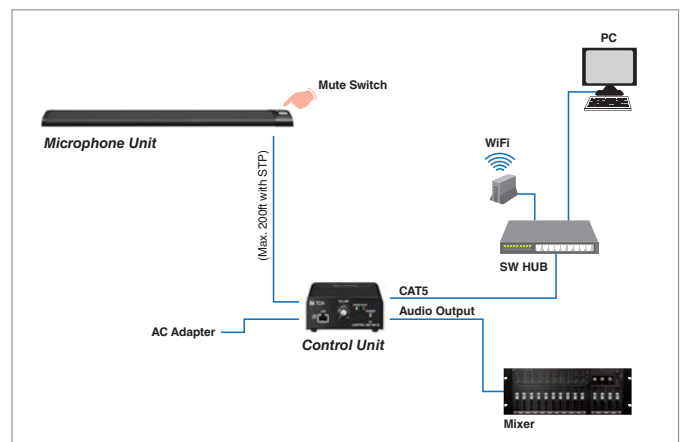
Microphone unit (AM-1MB/1MW)

Power Source	24V DC / 200 mA (supplied from control unit)
Frequency Response	150 Hz - 18k Hz
Directivity (Beam width)	50°
Max. Cable Length	200 ft / 70 m (between microphone & control)
Applicable Cable	STP AES/EBU digital audio cable
Mute Function	Mechanical mute switch
Dimensions	19.1" (W) x 0.78" (H) x 2.36" (D)

Control unit (AM-1C)

Power Source	24V DC / 400 mA (including microphone power/ supplied by AC adapter)
S/N (Microphone)	Over 90dB
Input	Microphone input (audio and communication), female XLR 3P x 1
Audio Output	+4dBu/-10dBV (selectable), male XLR 3P x 2 AES/EBU 24bit 110, male XLR 3P x 1
Network Port	RJ45
Accessory	AC adapter

CONNECTION



Specifications are subject to change without notice.
AM1-042417-BH

TOA Electronics, Inc.

www.toaelectronics.com