

SPEAKER RIGGING BRACKET HY-TM7B-WP HY-TM7W-WP

Thank you for purchasing TOA's Speaker Rigging Bracket.

Please carefully follow the instructions in this manual to ensure long, trouble-free use of your equipment.

1. SAFETY PRECAUTIONS

- Before installation or use, be sure to carefully read all the instructions in this section for correct and safe operation.
- Be sure to follow all the precautionary instructions in this section, which contain important warnings and/or cautions regarding safety.
- After reading, keep this manual handy for future reference.



WARNING

Indicates a potentially hazardous situation which, if mishandled, could result in death or serious personal injury.

- Refer all installation work to the dealer from whom the speaker was purchased. Installation onto the ceiling requires extensive technical knowledge and experience. The speaker may fall off if incorrectly installed, resulting in possible personal injury.
- Install the unit only in a location that can structurally support the weight of the speaker and the mounting bracket. Doing otherwise may result in the speaker falling down and causing personal injury and/or property damage.
- Owing to the speaker's size and weight, be sure that at least two persons are available to install the speaker. Failure to do so could result in personal injury.
- Do not use other methods than specified to mount the bracket. Extreme force is applied to the bracket and the speaker could fall off, possibly resulting in personal injuries.
- Use safety wires when installing speakers. If not used, personal injury could result if a speaker should accidentally fall.
- Attach the safety wire to the speaker. If not attached, the speaker could fall off, resulting in personal injury.

- Use nuts and bolts that are appropriate for the ceiling's structure and composition. Failure to do so may cause the speaker to fall, resulting in material damage and possible personal injury.
- Tighten each nut and bolt securely. Ensure that the bracket has no loose joints after installation to prevent accidents that could result in personal injury.
- Use the HX-7B-WP or HX-7W-WP Speaker System in combination. Doing otherwise may cause the speaker to fall off, resulting in personal injury.
- Do not mount the speaker in locations exposed to constant vibration. The rigging bracket can be damaged by excessive vibration, potentially causing the speaker to fall, which could result in personal injury.
- Avoid installing the speaker in locations close to the seashore or in indoor swimming facilities that are not well ventilated. In such locations, the bracket may be vulnerable to corrosion, eventually allowing the speaker to fall resulting in personal injury.



CAUTION

Indicates a potentially hazardous situation which, if mishandled, could result in moderate or minor personal injury, and/or property damage.

- Avoid touching the bracket's sharp metal edge to prevent injury.
- Do not stand or sit on, nor hang down from the bracket as this may cause the speaker to fall down or drop, resulting in personal injury and/or property damage.
- Have the bracket checked periodically by the shop from where it was purchased. Failure to do so may result in corrosion or damage to the speaker or its rigging bracket that could cause the speaker to fall, possibly causing personal injury.

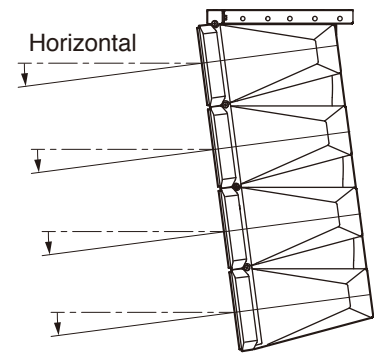
2. GENERAL DESCRIPTION

The HY-TM7 Series Speaker Rigging Brackets are used to hang the HX-7B-WP or HX-7W-WP Speaker System directly from ceilings, beams or other building structures, including under outdoor eaves.

3. NOTES ON INSTALLATION

- Observe the following instructions when installing the speaker system.
Failure to do so could adversely affect their intended weather-resistant capability, leading to malfunction.
- Install the speaker system in locations not exposed directly to rain, such as under eaves.
- All speaker modules must point downward from the horizontal.
- Two joined HX-7 Series Speaker Systems cannot be installed with this bracket.

[Vertical installation]



4. INSTALLATION

Step 1. Mount this bracket to a ceiling, beam, etc. using the bolts.



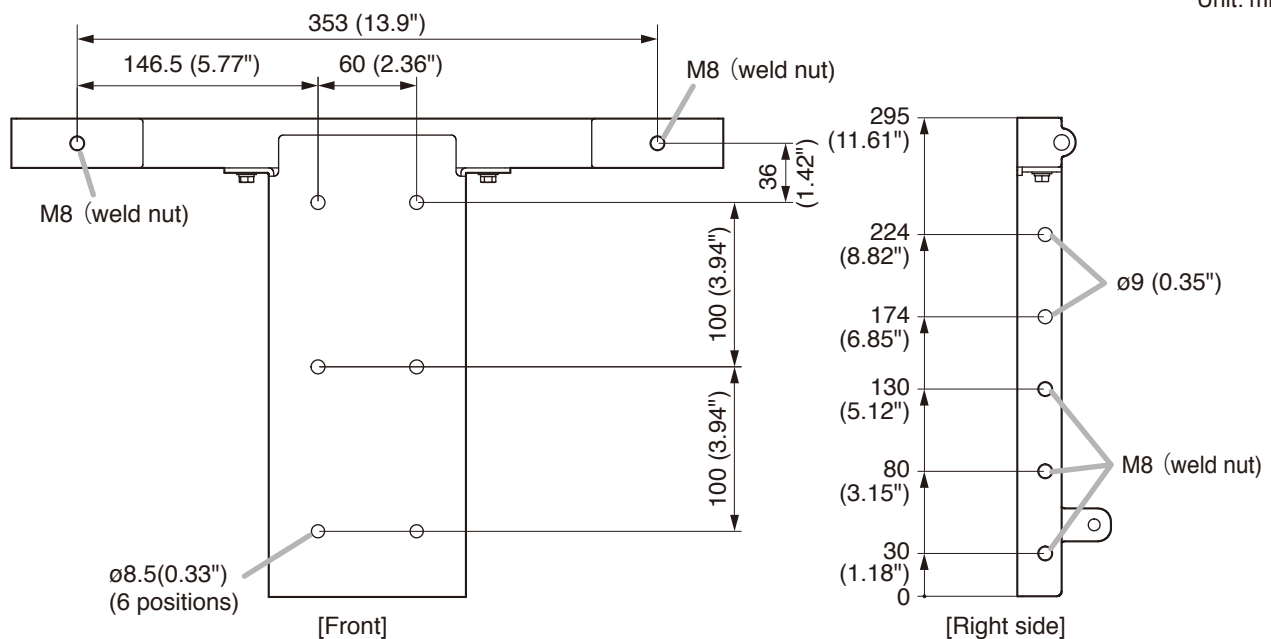
WARNING

Bolts and nuts for mounting the bracket on the ceiling or beam are not supplied.

Use bolts and nuts that are appropriate for the ceiling's or beam's structure and composition. Failure to do so may cause the speaker to fall, resulting in material damage and possible personal injury.

[Mounting dimensions]

Unit: mm



Note: Left-side surface same.

Step 2. Mount the speaker system to this bracket.

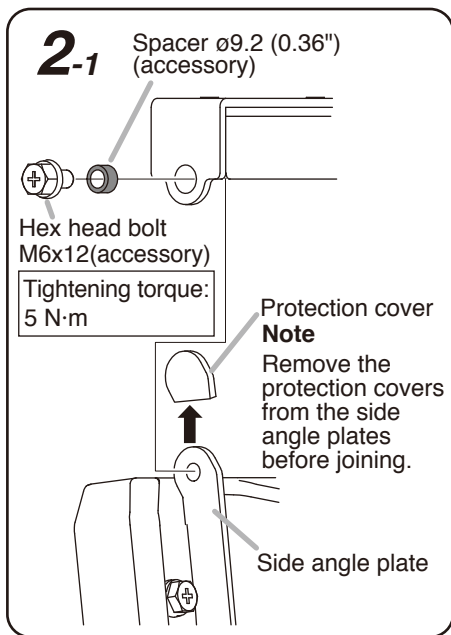
⚠ WARNING

- Use safety wires when installing speakers. If not used, personal injury could result if a speaker should accidentally fall.
- Owing to the speaker's size and weight, be sure that at least two persons are available to install the unit. Failure to do so could result in personal injury.
- Tighten the bolts securely, as instructed below. Failure to follow instructions precisely could result in a falling speaker and potential personal injury.
- Ensure that all bolts are securely inserted as far as their threads go, then securely fasten each bolt with a nut.
- Tighten all the bolts with the designated tightening torque. For tightening, use a Phillips screwdriver, or open- or box-end wrench.

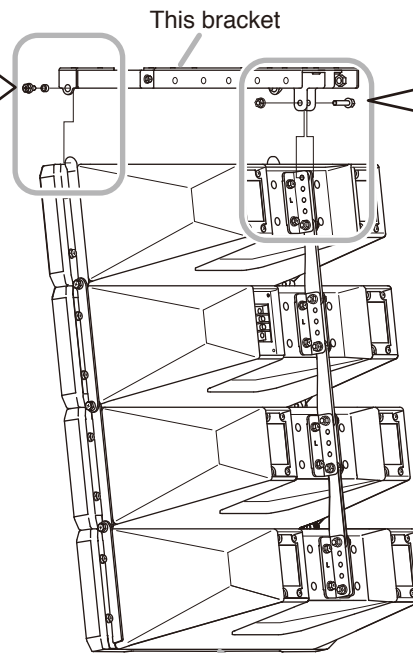
Mount the speaker system vertically, as shown in the figure.
Fix the speaker to the mounting bracket at all 3 indicated places.

2-1. Fix this bracket to both ends of the side angle plate of the speaker front.
Use the supplied bolts (with spring and plain washers) and spacers.

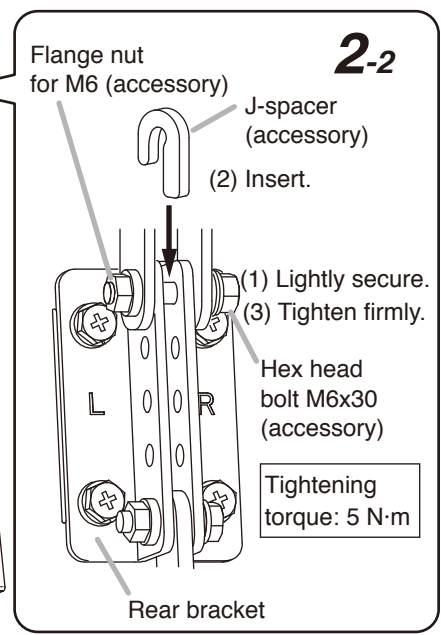
2-2. Fix this bracket to the speaker's rear bracket.
Fix to the rear bracket's endmost hole.
Use the supplied bolt (with spring and plain washers), J-spacer, and flange nut.
For details, refer to the procedures (1) to (3) as shown below.



Note
Similarly, fix this bracket to the end of the side angle plate on the opposite side.

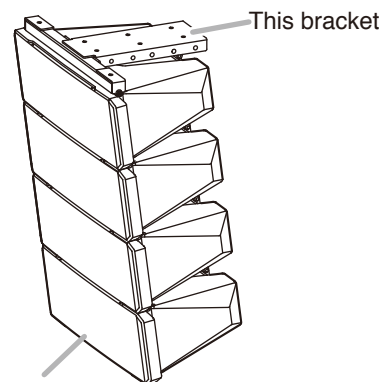


HX-7B-WP or HX-7W-WP



Note
After tightening the bolt, ensure that the J-spacer is firmly fixed.

[Completed installation]



Step 3. Attach safety wires for protection against falls.
Regarding the attaching method of safety wires, refer to the operating instructions supplied with HX-7 Series speaker system.

5. SPECIFICATIONS

Model No.	HY-TM7B-WP	HY-TM7W-WP
Finish	Stainless steel, black, semi-gloss, paint	Stainless steel, white, semi-gloss, paint
Dimensions	433 (w) x 57 (h) x 295 (d) mm (17.05" x 2.24" x 11.61")	
Weight	2 kg (4.41 lb)	

Note: The design and specifications are subject to change without notice for improvement.

• Accessories

Hex head bolt M6 x 12 with spring and plain washers ...	2
Hex head bolt M6 x 30 with spring and plain washers ...	1
Flange nut for M6	1
Spacer ø9.2 (0.36")	2
J-spacer	1