

## TS-D1100-SP Y

### SPEAKER UNIT



The TS-D1100-SP Speaker Unit is specially designed for use with TOA's TS-D1100 Series Digital Conference System. This single speaker unit provides clear conference audio to all participants within a radius of approximately 3 meters.

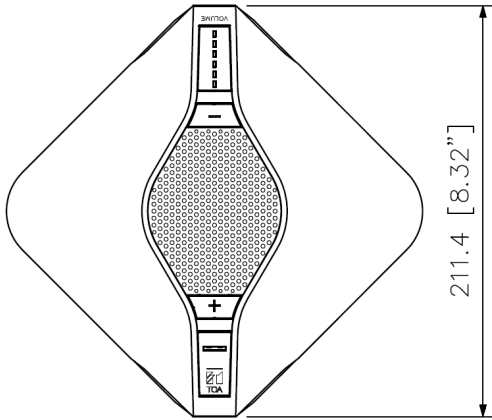
### Key features

- Speaker unit for basic discussion
- 1W monitor speaker
- Individual 6-level volume control
- PoE powered

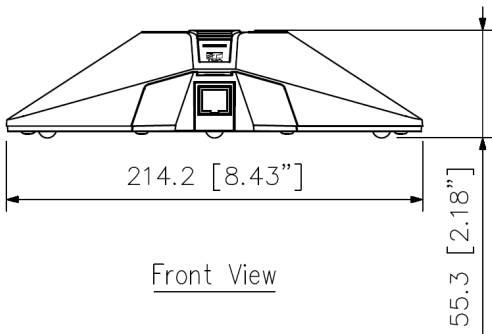
## Specifications

Power Source	24 V DC (supplied from the TS-D1100-MU Master control unit (option), TS-D1000-SU Sub control units (option), or TS-D1000-EX Extension units (option))
Power Consumption	5 W or less
Frequency Response	100 Hz - 13 kHz
Signal to Noise Ratio	60 dB or more (A-weighted)
Speaker Output	8 $\Omega$ , 1W 80 dB SPL
Connection Terminal	RJ45 connector x 2
LED Indicator	Power indicator, Volume indicator
Function	Volume control function
Operating Temperature	0 °C to +40 °C (32 °F to 104 °F)
Operating Humidity	90 %RH or less (no condensation)
Finish	Case: ABS resin, black
Dimensions	214.2 (W) x 55.3 (H) x 211.4 (D) mm (8.43" x 2.18" x 8.32")
Weight	550 g (1.21 lb)

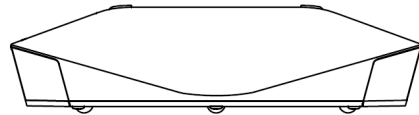
## Dimensions



Top View



Front View



Side View

UNIT:mm

## A&E specifications

The speaker unit shall have a compact design optimized for meetings, and it shall deliver audio within a radius of 3 meters using a 1W output speaker. The speaker shall have a frequency response range of 100 Hz to 13 kHz. The speaker unit shall be self-powered by the master control unit (TS-D1100-MU), the sub control unit (TS-D1000-SU) or the extension unit (TS-D1000-EX). The speaker unit shall have a volume adjustment function with six levels, and the current volume level shall be indicated by an LED indicator. The unit shall also have a power indicator LED. The finish of the unit shall be of ABS resin with a black finish, and the weight shall be 550 g (1.21 lbs). The dimensions of the unit shall be 214.2 mm (W) × 55.3 mm (H) × 211.4 mm (D) (8.43" × 2.18" × 8.32").

Manufacturer: TOA Corporation

Model: TS-D1100-SP